

零件图	成品图	客户图
		○

REVISION DATA				
REV	ECN No.	DESCRIPTION	NAME	DATE
A0		NEW DRAWING	Songjun	2016-09-20

Technical Data

Material:

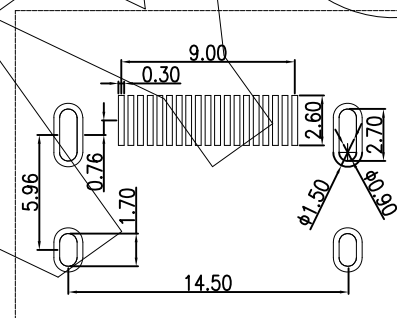
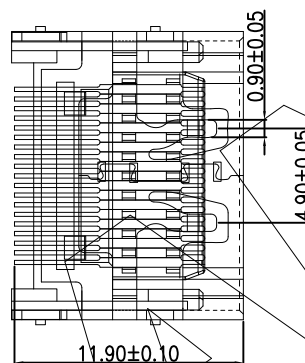
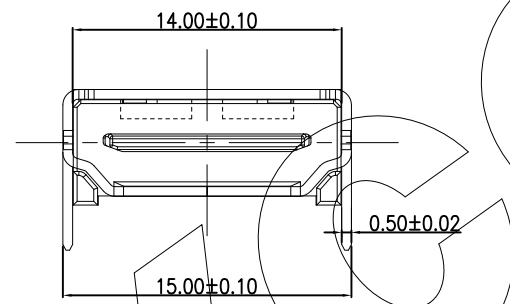
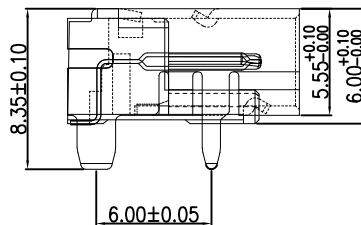
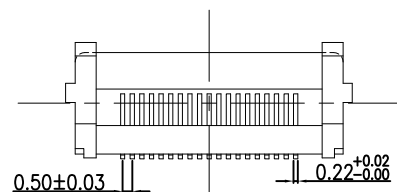
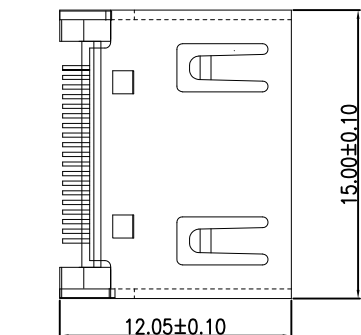
Contact Material: PHOSPHOR BRONZE T=0.25mm
 Contact plating: 1u" Au, 100u" Sn Over Ni 60U"
 Insulator Material: PBT+30%GLASS FIBRE ,UL94 V-0
 SHELL MATERIAL: BRASS T=0.30mm Over Ni 100u"

Electrical:

Rating current: 50mA/contact max.
 Rating voltage: 5V AC/DC
 Contact resistance: ≤30mΩ/contact
 Insulation resistance: ≥1000MΩ
 Withstanding Voltage: 500V AC/minute

Mechanical:

Operating temperatures: Gold Plated: -55°C to +105°C
 Soldering temperature: +220°C, max(PBT)



ORDER INFORMATION

HDM 19 F S S1 S D R A CODE
 19 P
 F: FeMale
 S: PCB SMT
 D: LCP
 S: SPCC, Nickel plated
 R: 符合ROHS
 S1 Contact 1μ" Au and Tin plated on solder tail
 S4 Contact 5μ" Au and Tin plated on solder tail

ANYCONN®
 www.anyconn.com
 TEL:+86(0)769 8904 9672
 FAX:+86(0)769 8904 9671
 E-MAIL:sales@anycom.tw

东莞市恩康电子科技有限公司

DONGGUAN ENKANG ELECTRONICS TECHNOLOGY CO.,LTD

TOLERANCE	DATE :	2016-09-20	TITLE:				
ANGLE ±5°	DRAWN :	Songjun	HDMI A/F 19P SMT				
X.XXX ±0.15	CHECKED :		PART NO: HDM19FSS1SDRA				
X.XX ±0.25	APPROVED :						
X.X ±0.40	PROJECTON		REV: A0	UNIT: mm	SCALE: 1:1	SIZE: A4	PAGE: 1/1
X. ±0.50							