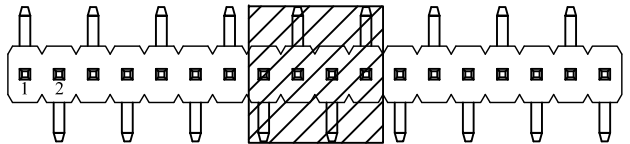
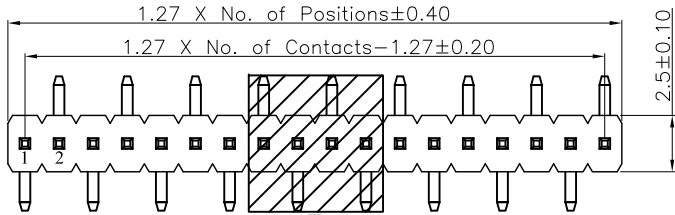


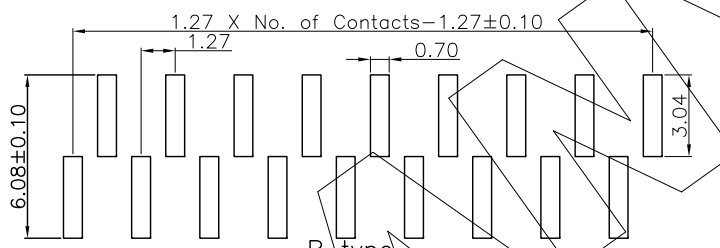
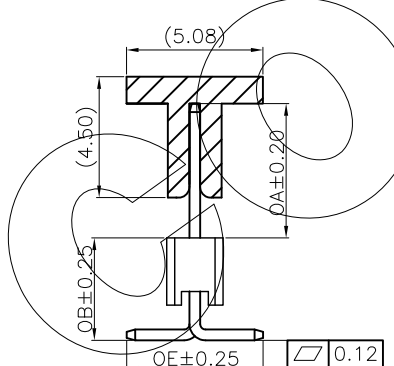
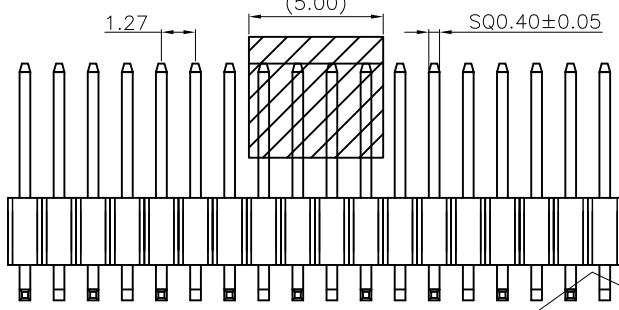
REVISION DATA				
REV	ECN No.	DESCRIPTION	NAME	DATE
A0		NEW DRAWING	JIN	2020-09-09



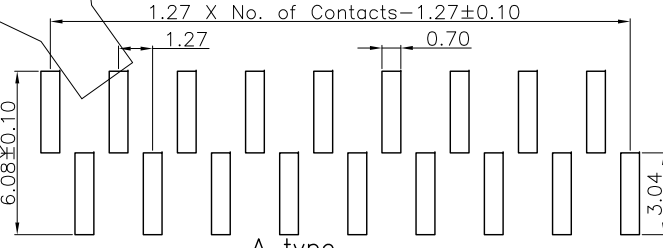
B Type



A Type



Recommended P.C.B Layout
General Tolerance ±0.05



Recommended P.C.B Layout
General Tolerance ±0.05

Technical Data

Material:
Contact Material: Copper alloy
Contact plating: Au or Sn Over Ni
Insulator Material: See the table, UL94 V-0

Electrical:
Rating current: 1.0Amps/contact max.
Rating voltage : 250 V AC/DC
Contact resistance: ≤20mΩ/contact
Insulation resistance: ≥1000MΩ
Withstanding Voltage: 300V AC/minute

Mechanical:
Operating temperatures: Gold Plated: -55°C to +105°C
Tin plated: -40°C to +105°C
Soldering temperature: +260°C, 10S max (PA6T/PA9T/LCP)
+220°C, 10S max (PBT).

	OA	OE	OB	PIN LENGTH
DIM.	3.00	5.08	3.00	8.10
	5.50	5.08	3.50	11.10
	6.00	5.08	4.00	12.10
	7.00	5.08	5.00	14.10

OA, OB and OE can be customized by customers

P115	11	XXX	XX	X	X	X	N	SXXX
Product Descriptions P115 H=2.5	Product Type 11 Single row	No. of Positions XX Poles	Pin Plating G0 GOLD FLASH G1 1U" AU G6 AU10U" S1 SN+AU1U" S7 SN+AU15U" S8 SN+AU30U" T3 MATTE SN	Angle options A A Type B B Type	Insulator Material A PBT+G/F30% B PA66+G/F30% C PA6T+G/F30% D LCP+G/F30%	Color B Black W White L Blue G Green Y Yellow R Red N Natural		Pin length(mm) L=XXX mm

ANYCONN® 东莞市恩康电子科技有限公司
DONGGUAN ENKANG ELECTRONICS TECHNOLOGY CO.,LTD

TOLERANCE	DATE : 2020-09-11	TITLE: PH1.27 H2.50mm Single Row SMT L=XXX mm Pin Header
ANGLE ±5°	DRAWN : Songjun	PART NO: P11511XXXXXXXXXSXXX
X.XXX ±0.15	CHECKED :	
X.XX ±0.25	APPROVED :	
X.X ±0.40	PROJECTON	REV: A0
X. ±0.50		UNIT: mm
		SCALE: 1:1
		SIZE: A4
		PAGE: 1/1