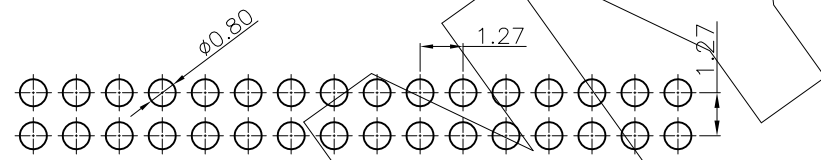
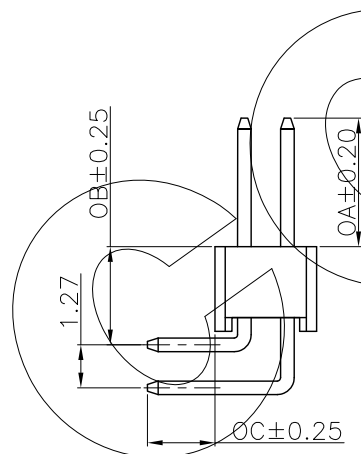
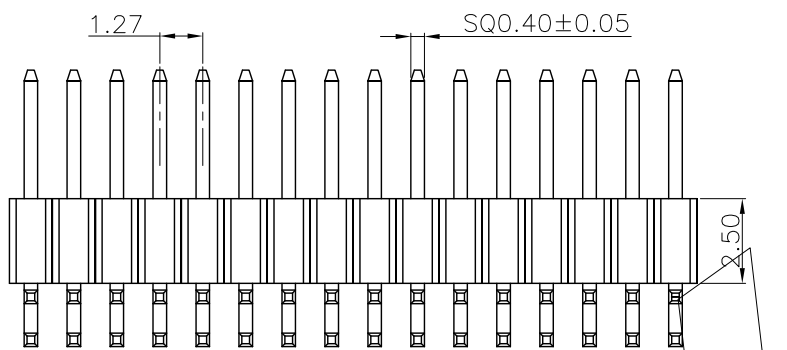
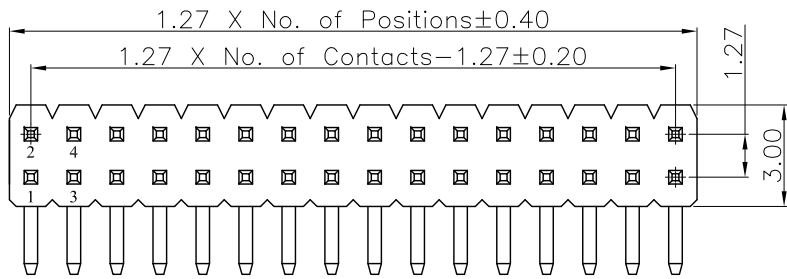


零件图	成品图	客户图
		○

REVISION DATA				
REV	ECN No.	DESCRIPTION	NAME	DATE
A0		NEW DRAWING	JIN	2020-09-09



Recommended P.C.B. Layout  
General Tolerance ±0.05

### Technical Data

Material:  
Contact Material: Copper alloy  
Contact plating: Au or Sn Over Ni  
Insulator Material: See the table, UL94 V-0

Electrical:  
Rating current: 1.0Amps/contact max.  
Rating voltage : 250 V AC/DC  
Contact resistance: ≤20mΩ/contact  
Insulation resistance: ≥1000MΩ  
Withstanding Voltage: 300V AC/minute

Mechanical:  
Operating temperatures: Gold Plated: -55°C to +105°C  
Tin plated: -40°C to +105°C  
Soldering temperature: +260°C, 10S max (PA6T/PA9T/LCP)  
+220°C, 10S max (PBT).

	OA	OC	OB	PIN LENGTH
DIM.	3.00	2.50	3.00	9.40/11.95
	5.50	2.80	3.50	12.70/15.25
	6.00	3.00	4.00	13.90/16.45
	7.00	3.50	5.00	16.40/18.95

OA, OB and OC can be customized by customers

P115	12	XXX	XX	R	X	X	N	RXXX
Product Descriptions P115 H=2.5	Product Type 12 Dual row	No. of Positions XX Poles	Pin Plating G0 GOLD-FLASH G1 1U* AU G6 AU10U* S1 SN+AU1U* S7 SN+AU15U* S8 SN+AU30U* T3 MATTE SN	Angle options R Ringht Angle	Insulator Material A PBT+G/F30% B PA66+G/F30% C PA6T+G/F30% D LCP+G/F30%	Color B Black W White L Blue G Green Y Yellow R Red N Natural		Pin length(mm) L=XXX mm

**ANYCONN®** 东莞市恩康电子科技有限公司  
www.anyconn.com  
TEL:+86(0)769 8904 9672  
FAX:+86(0)769 8904 9671  
E-MAIL:sales@anyconn.com  
**DONGGUAN ENKANG ELECTRONICS TECHNOLOGY CO.,LTD**

TOLERANCE	DATE :	2020-09-11	TITLE:		
ANGLE ±5°	DRAWN :	Songjun	PH1.27 H2.50mm Dual Row Right Angle L=XXX mm Pin Header		
X.XXX ±0.15	CHECKED :		PART NO: P11512XXXXRXXXNRXXX		
X.XX ±0.25	APPROVED :				
X.X ±0.40	PROJECTON				
X. ±0.50	REV: A0	UNIT: mm	SCALE: 1:1	SIZE: A4	PAGE: 1/1