

零件图	成品图	客户图
		○

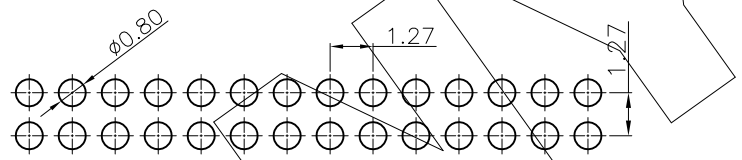
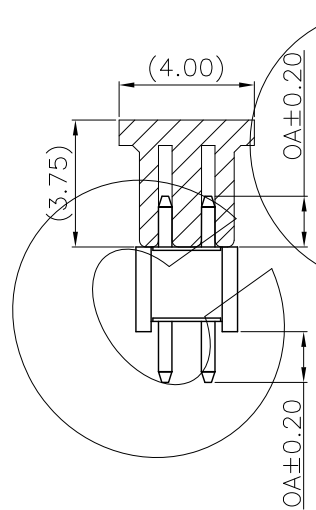
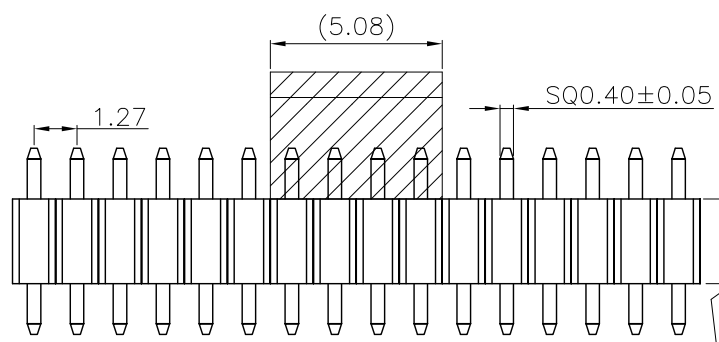
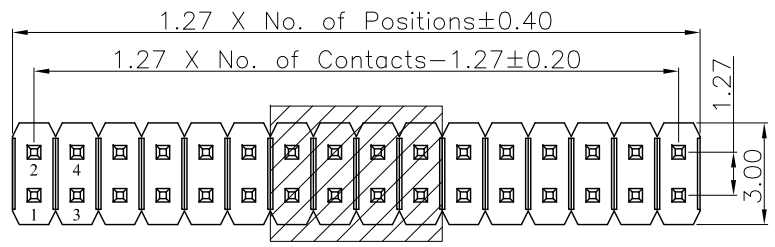
REVISION DATA				
REV	ECN No.	DESCRIPTION	NAME	DATE
A0		NEW DRAWING	JIN	2020-09-09

Technical Data

Material:
 Contact Material: Copper alloy
 Contact plating: Au or Sn Over Ni
 Insulator Material: See the table, UL94 V-0

Electrical:
 Rating current: 1.0Amps/contact max.
 Rating voltage : 250 V AC/DC
 Contact resistance: $\leq 20\text{m}\Omega/\text{contact}$
 Insulation resistance: $\geq 1000\text{M}\Omega$
 Withstanding Voltage: 300V AC/minute

Mechanical:
 Operating temperatures: Gold Plated: -55°C to $+105^{\circ}\text{C}$
 Tin plated: -40°C to $+105^{\circ}\text{C}$
 Soldering temperature: $+260^{\circ}\text{C}$, 10S max (PA6T/PA9T/LCP)
 $+220^{\circ}\text{C}$, 10S max (PBT).



Recommended P.C.B. Layout
 General Tolerance ± 0.05

	0A	0C	L
DIM.	3.00	2.30	7.80
	5.50	2.80	10.80
	8.00	3.00	13.50
	12.00	3.20	17.70

0A and 0C can be customized by customers

P115	12	XXX	XX	D	X	X	N	DXXX
Product Descriptions P115 H=2.5	Product Type 12 Dual row	No. of Positions XX Poles	Pin Plating G0 GOLD-FLASH G1 1U* AU G6 AU10U* S1 SN+AU1U* S7 SN+AU15U* S8 SN+AU30U* T3 MATTE SN	Angle options D Straight	Insulator Material A PBT+G/F30% B PA66+G/F30% C PA6T+G/F30% D LCP+G/F30%	Color B Black W White L Blue G Green Y Yellow R Red N Natural		Pin length(mm) L=XXX mm

ANYCONN® 东莞市恩康电子科技有限公司
 www.anyconn.com
 TEL:+86(0)769 8904 9672
 FAX:+86(0)769 8904 9671
 E-MAIL:sales@anyconn.com
DONGGUAN ENKANG ELECTRONICS TECHNOLOGY CO.,LTD

TOLERANCE	DATE : 2020-09-11	TITLE:
ANGLE $\pm 5^{\circ}$	DRAWN : Songjun	PH1.27 H2.50mm Dual Row Straight L=XXX mm Pin Header
X.XXX ± 0.15	CHECKED :	PART NO: P11512XXXXDXXNDXXX
X.XX ± 0.25	APPROVED :	
X.X ± 0.40	PROJECTON	
X. ± 0.50		REV: A0 UNIT: mm SCALE: 1:1 SIZE: A4 PAGE: 1/1