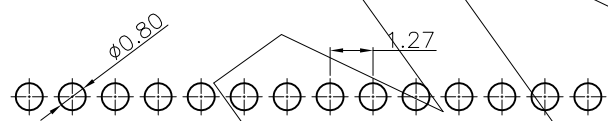
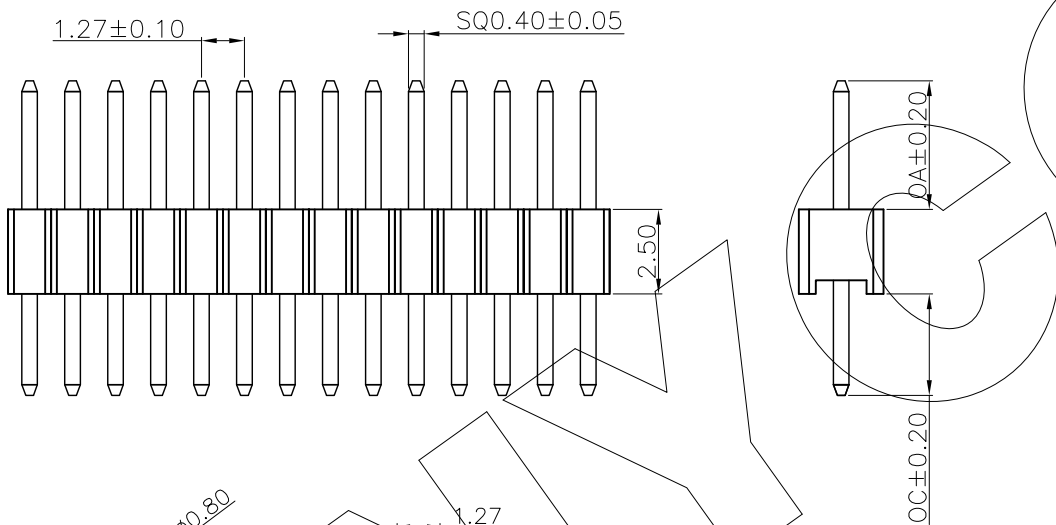
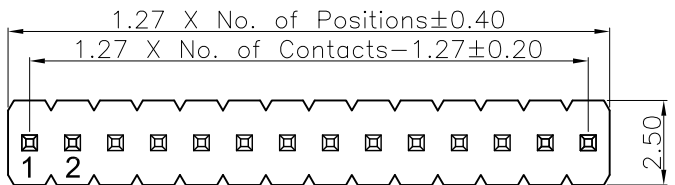


零件图	成品图	客户图
		○

REVISION DATA				
REV	ECN No.	DESCRIPTION	NAME	DATE
A0		NEW DRAWING	JIN	2020-09-09



Recommended P.C.B. Layout
General Tolerance ± 0.05

Technical Data

Material:
Contact Material: Copper alloy
Contact plating: Au or Sn Over Ni
Insulator Material: See the table, UL94 V-0

Electrical:
Rating current: 1.0Amps/contact max.
Rating voltage : 250 V AC/DC
Contact resistance: ≤ 20mΩ/contact
Insulation resistance: ≥ 1000MΩ
Withstanding Voltage: 300V AC/minute

Mechanical:
Operating temperatures: Gold Plated: -55°C to +105°C
Tin plated: -40°C to +105°C
Soldering temperature: +260°C, 10S max (PA6T/PA9T/LCP)
+220°C, 10S max (PBT).

	OA	OC	L
DIM.	3.00	2.30	7.80
	5.50	2.80	10.80
	8.00	3.00	13.50
	12.00	3.20	17.70

OA and OC can be customized by customers

P115	11	XXX	XX	D	X	X	N	DXXX
Product Descriptions P115 H=2.5	Product Type 11 Single row	No. of Positions XX Poles	Pin Plating G0 GOLD-FLASH G1 1U* AU G6 AU10U* S1 SN+AU1U* S7 SN+AU15U* S8 SN+AU30U* T3 MATTE SN	Angle options D Straight	Insulator Material A PBT+G/F30% B PA66+G/F30% C PA6T+G/F30% D LCP+G/F30%	Color B Black W White L Blue G Green Y Yellow R Red N Natural		Pin length(mm) L=XXX mm

ANYCONN® 东莞市恩康电子科技有限公司
www.anyconn.com
TEL:+86(0)769 8904 9672
FAX:+86(0)769 8904 9671
E-MAIL:sales@anyconn.tw
DONGGUAN ENKANG ELECTRONICS TECHNOLOGY CO.,LTD

TOLERANCE	DATE : 2020-09-11	TITLE:
ANGLE ±5°	DRAWN : Songjun	PH1.27 H2.50mm Single Row Straight L=XXX mm Pin Header
X.XXX ±0.15	CHECKED :	PART NO: P11511XXXXDXXXNDXXX
X.XX ±0.25	APPROVED :	
X.X ±0.40	PROJECTON	REV: A0
X. ±0.50		UNIT: mm
		SCALE: 1:1
		SIZE: A4
		PAGE: 1/1