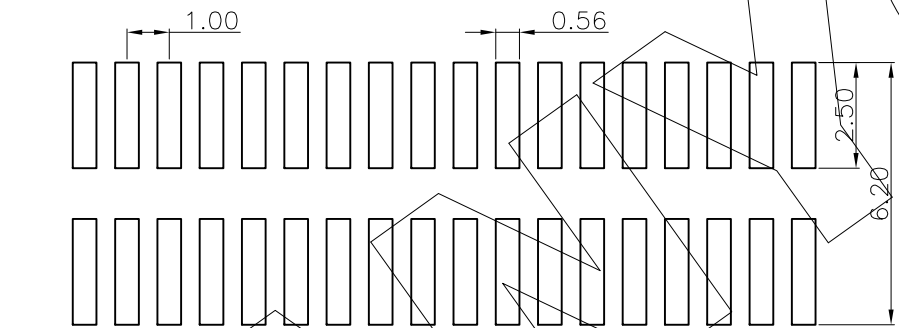
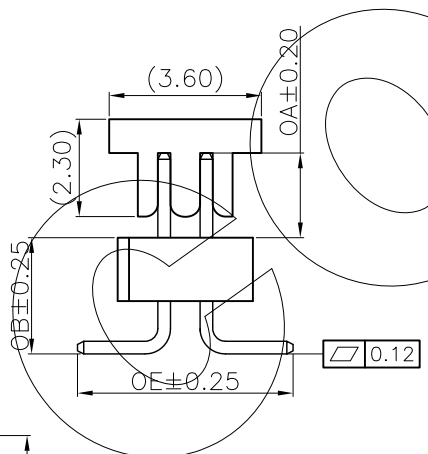
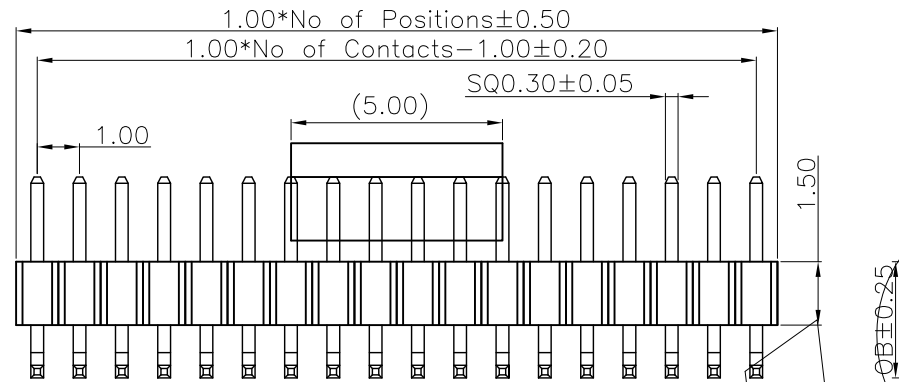
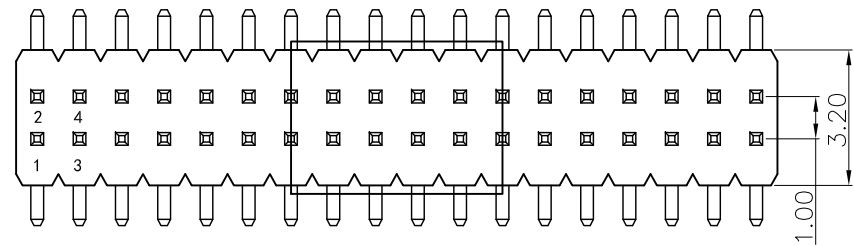


零件图	成品图	客户图
		○

REVISION DATA				
REV	ECN No.	DESCRIPTION	NAME	DATE
A0		NEW DRAWING	JIN	2020-09-09



Recommended P.C.B Layout  
General Tolerance±0.05

<b>P136</b>	<b>12</b>	<b>XXX</b>	<b>XX</b>	<b>S</b>	<b>X</b>	<b>X</b>	<b>N</b>	<b>SXXX</b>
Product Descriptions P136 H=1.5	Product Type 12 Dual Row	No. of Positions XXX Poles	Pin Plating G0 GOLD FLASH G1 10" AU G6 AU10U" S1 SN+AU1U" S7 SN+AU15U" S8 SN+AU30U" T3 MATTE SN	Angle options S SMT	Insulator Material A PBT B PA66 C PA6T D LCP	Color B Black W White L Blue G Green Y Yellow R Red N Natural		Pin length(mm) L=XXX mm

### Technical Data

Material:  
Contact Material: Copper alloy  
Contact plating: Au or Sn Over Ni  
Insulator Material: See the table, UL94 V-0

Electrical:  
Rating current: 0.75Amps/contact max.  
Rating voltage : 250 V AC/DC  
Contact resistance: ≤20mΩ/contact  
Insulation resistance: ≥500MΩ  
Withstanding Voltage: 300V AC/minute

Mechanical:  
Operating temperatures: Gold Plated: -55°C to +105°C  
Tin plated: -40°C to +105°C  
Soldering temperature: +260°C, 10S max (PA6T/PA9T/LCP)  
+220°C, 10S max (PBT).

	OA	OE	OB	PIN LENGHT
DIM.	2.00	5.10	2.00	5.60
	2.80	5.10	2.50	6.90
	3.50	5.10	3.00	8.10
	4.00	5.10	3.50	9.10

OA, OB and OE can be customized by customers

**ANYCONN®** 东莞市恩康电子科技有限公司  
www.anyconn.com  
TEL:+86(0)769 8904 9672  
FAX:+86(0)769 8904 9671  
E-MAIL:sales@anyconn.com  
**DONGGUAN ENKANG ELECTRONICS TECHNOLOGY CO.,LTD**

TOLERANCE	DATE : 2020-09-11	TITLE:
ANGLE ±5°	DRAWN : Songjun	PH1.00 H1.50mm Dual Row SMT L=XXX mm Pin Header
X.XXX ±0.15	CHECKED :	PART NO: P13612XXXXXXSXXNSXXX
X.XX ±0.25	APPROVED :	
X.X ±0.40	PROJECTON	
X. ±0.50	REV: A0	UNIT: mm
	SCALE: 1:1	SIZE: A4
	PAGE: 1/1	