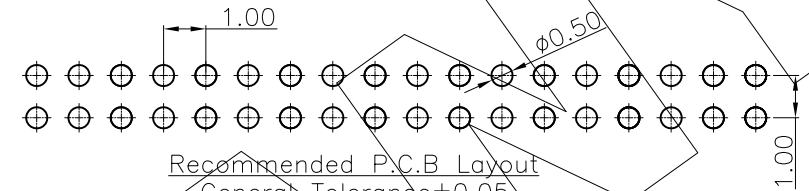
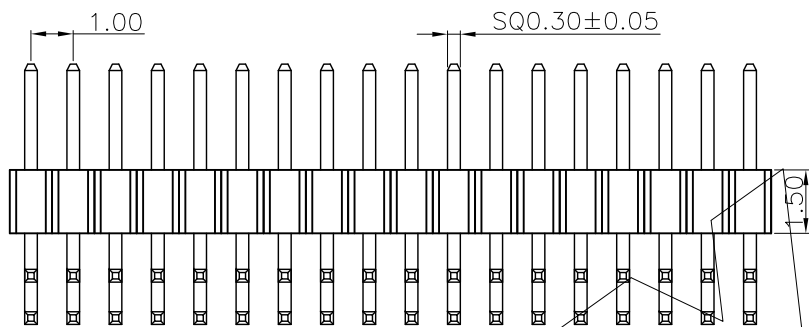
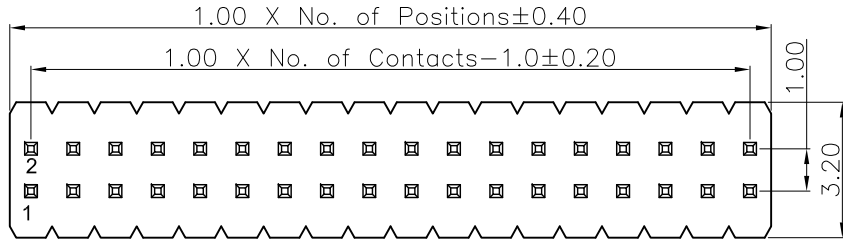


| | | |
|-----|-----|-----|
| 零件图 | 成品图 | 客户图 |
| | | ○ |

| REVISION DATA | | | | |
|---------------|---------|-------------|------|------------|
| REV | ECN No. | DESCRIPTION | NAME | DATE |
| A0 | | NEW DRAWING | JIN | 2020-09-09 |



Technical Data

Material:
Contact Material: Copper alloy
Contact plating: Au or Sn Over Ni
Insulator Material: See the table, UL94 V-0

Electrical:
Rating current: 0.75Amps/contact max.
Rating voltage : 250 V AC/DC
Contact resistance: ≤20mΩ/contact
Insulation resistance: ≥500MΩ
Withstanding Voltage: 300V AC/minute

Mechanical:
Operating temperatures: Gold Plated: -55°C to +105°C
Tin plated: -40°C to +105°C
Soldering temperature: +260°C, 10S max (PA6T/PA9T/LCP)
+220°C, 10S max (PBT).

| | OA | OC | OB | PIN LENGHT |
|------|------|------|------|-------------|
| DIM. | 2.00 | 1.50 | 2.00 | 5.90/7.90 |
| | 2.80 | 1.80 | 2.50 | 7.50/9.50 |
| | 3.50 | 2.30 | 3.00 | 9.20/11.20 |
| | 4.00 | 2.60 | 3.50 | 10.50/12.50 |

OA, OB and OC can be customized by customers

| | | | | | | | | |
|------------------------------------|-----------------------------|-------------------------------|--|---------------------------------|--|--|----------|----------------------------|
| P136 | 12 | XXX | XX | R | X | X | N | RXXX |
| Product Descriptions P136 H=1.5 | Product Type 12 Dual Row | No. of Positions XXX Poles | Pin Plating G0 GOLD FLASH G1 10" AU G6 AU10U" S1 SN+AU1U" S7 SN+AU15U" S8 SN+AU30U" T3 MATTE SN | Angle options R Ringht Angle | Insulator Material A PBT B PA66 C PA6T D LCP | Color B Black W White L Blue G Green Y Yellow R Red N Natural | | Pin length(mm) L=XXX mm |

ANYCONN® 东莞市恩康电子科技有限公司
www.anyconn.com
TEL:+86(0)769 8904 9672
FAX:+86(0)769 8904 9671
E-MAIL:sales@anyconn.com
DONGGUAN ENKANG ELECTRONICS TECHNOLOGY CO.,LTD

| | | | | | | |
|-------------|-----------|------------|------------|---|-----------|------------|
| TOLERANCE | DATE : | 2020-09-11 | TITLE: | PH1.00 H1.50mm Dual Row Ringht Angle L=XXX mm Pin Header | | |
| ANGLE ±5° | DRAWN : | Songjun | APPROVED : | PART NO: P13612XXXXRXXNRXXX | | |
| X.XXX ±0.15 | CHECKED : | | | REV: A0 | UNIT: mm | SCALE: 1:1 |
| X.XX ±0.25 | PROJECTON | | | SIZE: A4 | PAGE: 1/1 | |
| X.X ±0.40 | | | | | | |
| X. ±0.50 | | | | | | |