

零件图	成品图	客户图
		○

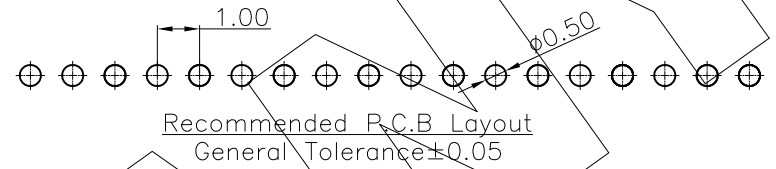
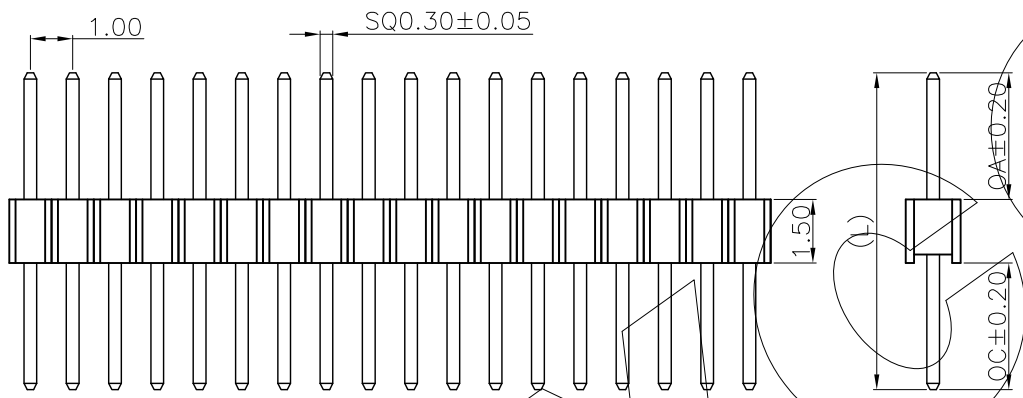
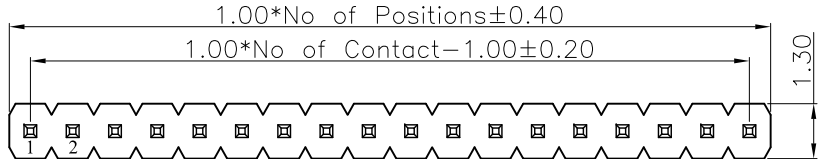
REVISION DATA				
REV	ECN No.	DESCRIPTION	NAME	DATE
A0		NEW DRAWING	JIN	2020-09-09

### Technical Data

Material:  
 Contact Material: Copper alloy  
 Contact plating: Au or Sn Over Ni  
 Insulator Material: See the table, UL94 V-0

Electrical:  
 Rating current: 0.75Amps/contact max.  
 Rating voltage : 250 V AC/DC  
 Contact resistance:  $\leq 20\text{m}\Omega/\text{contact}$   
 Insulation resistance:  $\geq 500\text{M}\Omega$   
 Withstanding Voltage: 300V AC/minute

Mechanical:  
 Operating temperatures: Gold Plated:  $-55^{\circ}\text{C}$  to  $+105^{\circ}\text{C}$   
 Tin plated:  $-40^{\circ}\text{C}$  to  $+105^{\circ}\text{C}$   
 Soldering temperature:  $+260^{\circ}\text{C}$ , 10S max (PA6T/PA9T/LCP)  
 $+220^{\circ}\text{C}$ , 10S max (PBT).



	OA	OC	L
DIM.	2.00	1.50	5.00
	2.80	1.80	6.10
	3.50	2.30	7.30
	4.00	2.60	8.10

OA and OC can be customized by customers

<b>P136</b>	<b>11</b>	<b>XXX</b>	<b>XX</b>	<b>D</b>	<b>X</b>	<b>X</b>	<b>N</b>	<b>DXXX</b>
Product Descriptions P136 H=1.5	Product Type 11 Single Row	No. of Positions XXX Poles	Pin Plating G0 GOLD FLASH G1 10" AU G6 AU10U" S1 SN+AU1U" S7 SN+AU15U" S8 SN+AU30U" T3 MATTE SN	Angle options D Straight	Insulator Material A PBT B PA66 C PA6T D LCP	Color B Black W White L Blue G Green Y Yellow R Red N Natural		Pin length(mm) L=XXX mm

**ANYCONN®** 东莞市恩康电子科技有限公司  
 www.anyconn.com  
 TEL:+86(0)769 8904 9672  
 FAX:+86(0)769 8904 9671  
 E-MAIL:sales@anyconn.com

**DONGGUAN ENKANG ELECTRONICS TECHNOLOGY CO.,LTD**

TOLERANCE	DATE : 2020-09-11	TITLE:
ANGLE $\pm 5^{\circ}$	DRAWN : Songjun	PH1.00 H1.50mm Single Row Straight L=XXX mm Pin Header
X.XXX $\pm 0.15$	CHECKED :	PART NO: P13611XXXXDXNDXXX
X.XX $\pm 0.25$	APPROVED :	
X.X $\pm 0.40$	PROJECTON	
X. $\pm 0.50$		REV: A0 UNIT: mm SCALE: 1:1 SIZE: A4 PAGE: 1/1