

零件图	成品图	客户图
		○

REVISION DATA				
REV	ECN No.	DESCRIPTION	NAME	DATE
A0		NEW DRAWING	JIN	2020-09-09

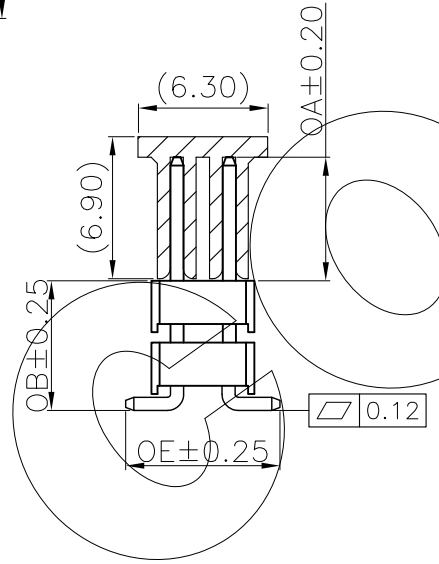
DIM"A"	NOTE
5.00MM	2x2-2x3Pin
10.0MM	2x4Pin UP

Technical Data

Material:
 Contact Material: Copper alloy
 Contact plating: Au or Sn Over Ni
 Insulator Material: See the table, UL94 V-0

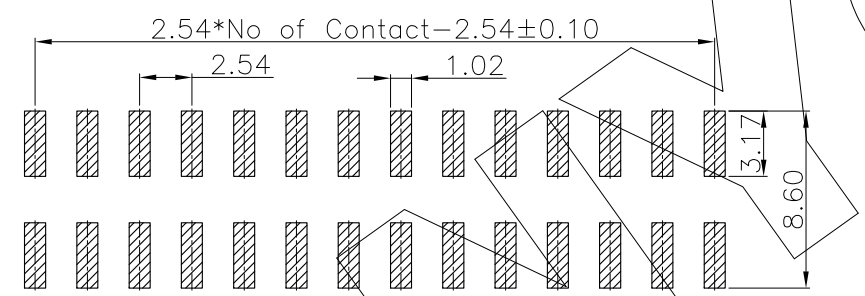
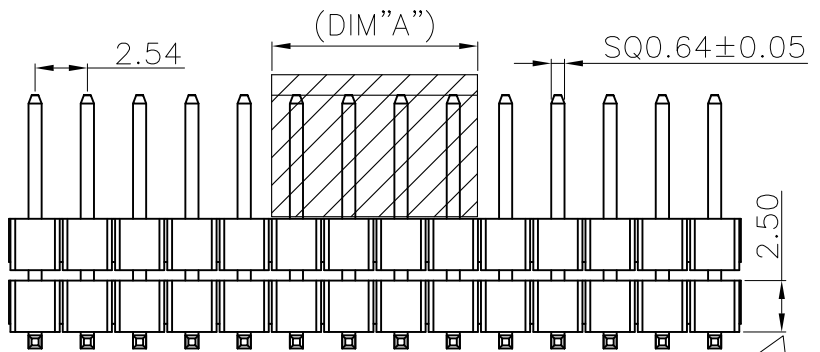
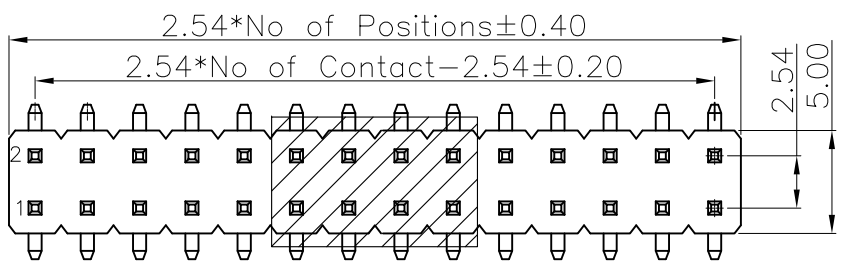
Electrical:
 Rating current: 3Amps/contact max.
 Rating voltage : 250 V AC/DC
 Contact resistance: $\leq 20m\Omega$ /contact
 Insulation resistance: $\geq 1000M\Omega$
 Withstanding Voltage: 1000V AC/minute

Mechanical:
 Operating temperatures: Gold Plated: $-55^{\circ}C$ to $+105^{\circ}C$
 Tin plated: $-40^{\circ}C$ to $+105^{\circ}C$
 Soldering temperature: $+260^{\circ}C, 10S$ max (PA6T/PA9T/LCP)
 $+220^{\circ}C, 10S$ max (PBT).



	OA	OE	OB	PIN LENGHT
DIM.	3.00	5.08	5.65	10.50
	5.50	5.08	7.00	14.35
	8.00	5.08	8.50	18.35
	12.00	5.08	10.50	24.35

OA,OB and OC can be customized by customers



Recommended P.C.B Layout
 General Tolerance ± 0.05

P120	22	XXX	XX	S	X	X	N	SXXX
Product Descriptions P120 H=2.5	Product Type 22 Dual Row Dual Base	No. of Positions XXX Poles	Pin Plating G0 Gold Flash G1 1u" Au G6 Au10u" S1 Sn+Au1u" S7 Sn+Au15u" S8 Sn+Au30u" T3 Matte Sn	Angle type S SMT	Insulator Material A PBT+G/F 30% B PA66+G/F 30% C PA6T+G/F 30% D LCP+G/F 30%	Color B Black W White L Blue G Green Y Yellow R Red N Natural		Pin length(mm) L=XXXmm

ANYCONN®
 www.anyconn.com
 TEL:+86(0)769 8904 9672
 FAX:+86(0)769 8904 9671
 E-MAIL:sales@anyconn.tw

东莞市恩康电子科技有限公司
DONGGUAN ENKANG ELECTRONICS TECHNOLOGY CO.,LTD

TOLERANCE	DATE : 2020-09-09	TITLE:
ANGLE $\pm 5^{\circ}$	DRAWN : JIN	2.54mm Pin Header Double Row SMT Pin Length XXXX/XXXX mm
X.XXX ± 0.15	CHECKED :	PART NO: P12022XXXXXXSXXNSXXX
X.XX ± 0.25	APPROVED :	
X.X ± 0.40	PROJECTON	
X. ± 0.50		REV: A0 UNIT: mm SCALE: 1:1 SIZE: A4 PAGE: 1/1