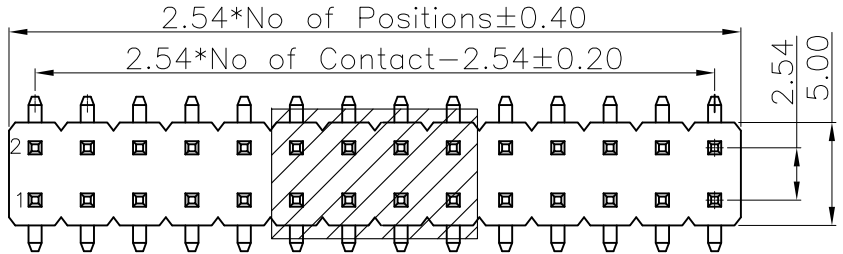


零件图	成品图	客户图
		○

REVISION DATA				
REV	ECN No.	DESCRIPTION	NAME	DATE
A0		NEW DRAWING	JIN	2020-09-09



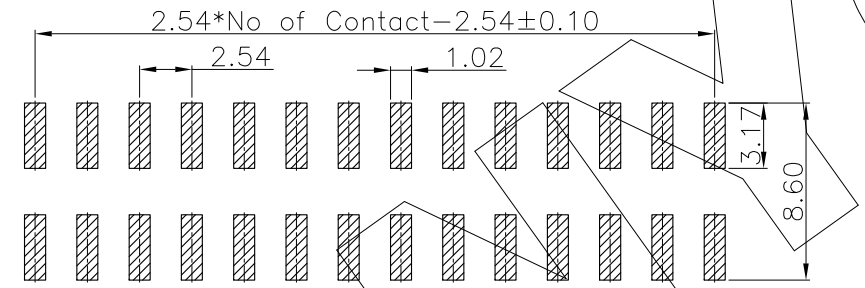
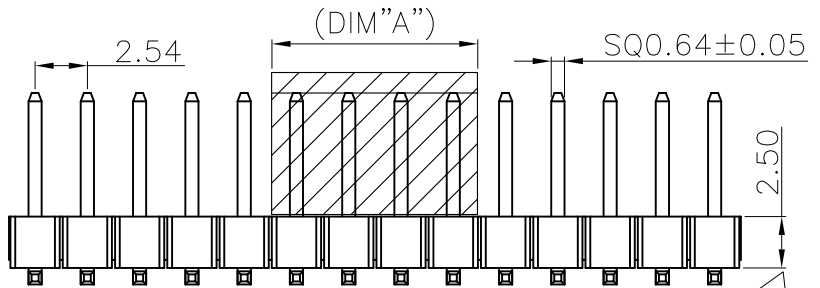
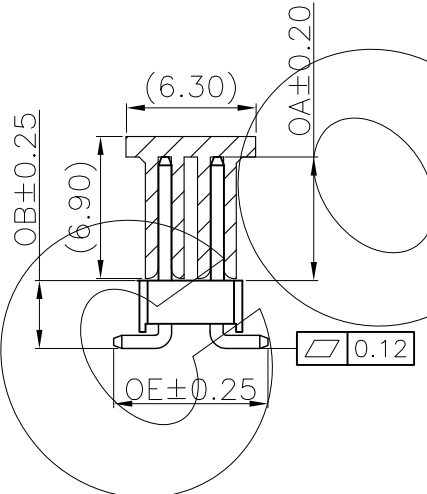
DIM"A"	NOTE
5.00MM	2x2-2x3Pin
10.0MM	2x4Pin UP

### Technical Data

Material:  
 Contact Material: Copper alloy  
 Contact plating: Au or Sn Over Ni  
 Insulator Material: See the table, UL94 V-0

Electrical:  
 Rating current: 3Amps/contact max.  
 Rating voltage : 250 V AC/DC  
 Contact resistance: ≤20mΩ/contact  
 Insulation resistance: ≥1000MΩ  
 Withstanding Voltage: 1000V AC/minute

Mechanical:  
 Operating temperatures: Gold Plated: -55°C to +105°C  
 Tin plated: -40°C to +105°C  
 Soldering temperature: +260°C, 10S max (PA6T/PA9T/LCP)  
 +220°C, 10S max (PBT).



Recommended P.C.B Layout  
 General Tolerance ±0.05

	OA	OE	OB	PIN LENGHT
DIM.	3.00	5.08	3.15	7.95
	5.50	5.08	3.50	10.80
	8.00	5.08	4.00	13.80
	12.00	5.08	5.00	18.80

OA,OB and OC can be customized by customers

<b>P120</b>	<b>12</b>	<b>XXX</b>	<b>XX</b>	<b>S</b>	<b>X</b>	<b>X</b>	<b>N</b>	<b>SXXX</b>
Product Descriptions P120 H=2.5	Product Type 12 Single row	No. of Positions XXX Poles	Pin Plating G0 Gold Flash G1 1u" Au G6 Au10u" S1 Sn+Au1u" S7 Sn+Au15u" S8 Sn+Au30u" T3 Matte Sn	Angle type S SMT	Insulator Material A PBT+G/F 30% B PA66+G/F 30% C PA6T+G/F 30% D LCP+G/F 30%	Color B Black W White L Blue G Green Y Yellow R Red N Natural		Pin length(mm) L=XXXmm

**ANYCONN®**  
 www.anyconn.com  
 TEL:+86(0)769 8904 9672  
 FAX:+86(0)769 8904 9671  
 E-MAIL:sales@anyconn.com

**东莞市恩康电子科技有限公司**  
**DONGGUAN ENKANG ELECTRONICS TECHNOLOGY CO.,LTD**

TOLERANCE	DATE : 2020-09-09	TITLE:
ANGLE ±5°	DRAWN : JIN	2.54mm Pin Header Double Row SMT Pin Length XXXX/XXXX mm
X.XXX ±0.15	CHECKED :	PART NO: P12012XXXXXXSXXNSXXX
X.XX ±0.25	APPROVED :	
X.X ±0.40	PROJECTON	
X. ±0.50		REV: A0 UNIT: mm SCALE: 1:1 SIZE: A4 PAGE: 1/1