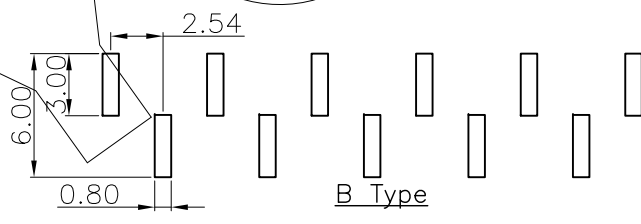
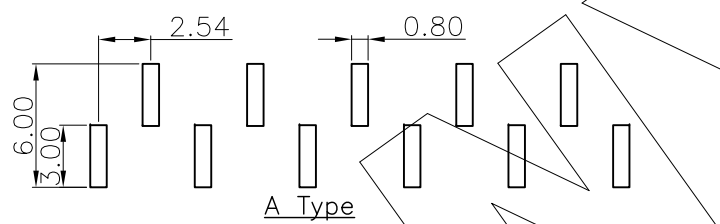
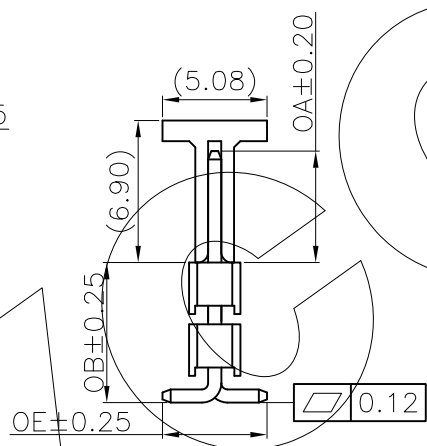
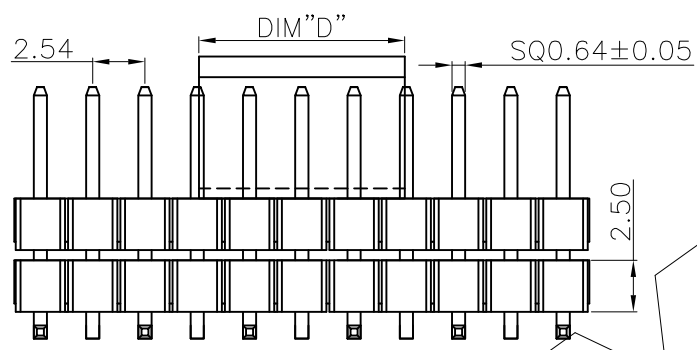
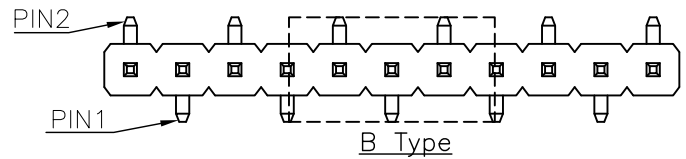
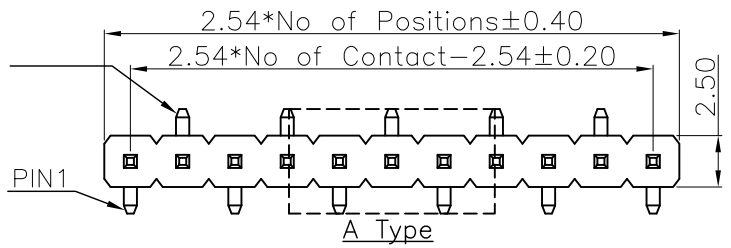


| | | |
|-----|-----|-----|
| 零件图 | 成品图 | 客户图 |
| | | ○ |

| DIM"D" | DIM"E" | NOTE |
|--------|--------|----------|
| 5.00mm | 2.80mm | 01~04Pin |
| 10.0mm | 5.08mm | 05~50Pin |

| REVISION DATA | | | | |
|---------------|---------|-------------|------|------------|
| REV | ECN No. | DESCRIPTION | NAME | DATE |
| A0 | | NEW DRAWING | JIN | 2020-09-09 |



Technical Data

Material:
 Contact Material: Copper alloy
 Contact plating: Au or Sn Over Ni
 Insulator Material: See the table, UL94 V-0

Electrical:
 Rating current: 3Amps/contact max.
 Rating voltage : 250 V AC/DC
 Contact resistance: ≤20mΩ/contact
 Insulation resistance: ≥1000MΩ
 Withstanding Voltage: 1000V AC/minute

Mechanical:
 Operating temperatures: Gold Plated: -55°C to +105°C
 Tin plated: -40°C to +105°C
 Soldering temperature: +260°C, 10S max (PA6T/PA9T/LCP)
 +220°C, 10S max (PBT).

| | OA | OE | OB | PIN LENGHT |
|------|-------|------|------|------------|
| DIM. | 3.00 | 5.08 | 3.15 | 7.95 |
| | 5.50 | 5.08 | 3.50 | 10.80 |
| | 8.00 | 5.08 | 4.00 | 13.80 |
| | 12.00 | 5.08 | 5.00 | 18.80 |

OA,OB and OC can be customized by customers

| | | | | | | | | |
|------------------------------------|---|-------------------------------|--|------------------------------------|--|--|----------|---------------------------|
| P120 | 21 | XXX | XX | X | X | X | N | SXXX |
| Product Descriptions P120 H=2.5 | Product Type 21 Single Row Dual Base | No. of Positions XXX Poles | Pin Plating G0 Gold Flash G1 1u" Au G6 Au10u" S1 Sn+Au1u" S7 Sn+Au15u" S8 Sn+Au30u" T3 Matte Sn | Angle type A A Type B B Type | Insulator Material A PBT+G/F 30% B PA66+G/F 30% C PA6T+G/F 30% D LCP+G/F 30% | Color B Black W White L Blue G Green Y Yellow R Red N Natural | | Pin length(mm) L=XXXmm |

ANYCONN®
 www.anyconn.com
 TEL:+86(0)769 8904 9672
 FAX:+86(0)769 8904 9671
 E-MAIL:sales@anyconn.tw

东莞市恩康电子科技有限公司
DONGGUAN ENKANG ELECTRONICS TECHNOLOGY CO.,LTD

| | | |
|-------------|-------------------|---|
| TOLERANCE | DATE : 2020-09-09 | TITLE: |
| ANGLE ±5° | DRAWN : JIN | 2.54mm Pin Header Single Row SMT Pin Length XXXX/XXXX mm |
| X.XXX ±0.15 | CHECKED : | PART NO: P12021XXXXSXXXNSXXX |
| X.XX ±0.25 | APPROVED : | |
| X.X ±0.40 | PROJECTON | |
| X. ±0.50 | | REV: A0 UNIT: mm SCALE: 1:1 SIZE: A4 PAGE: 1/1 |