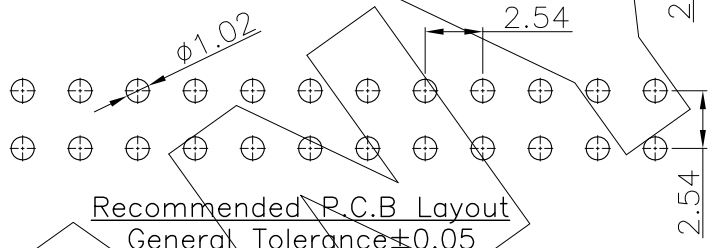
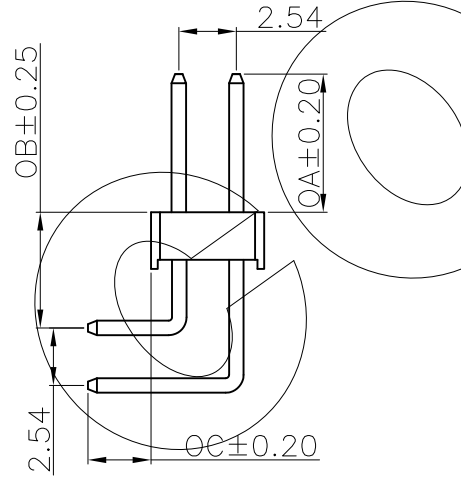
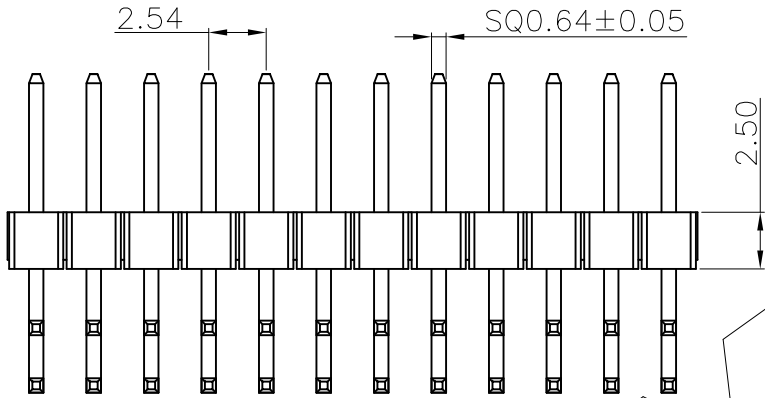
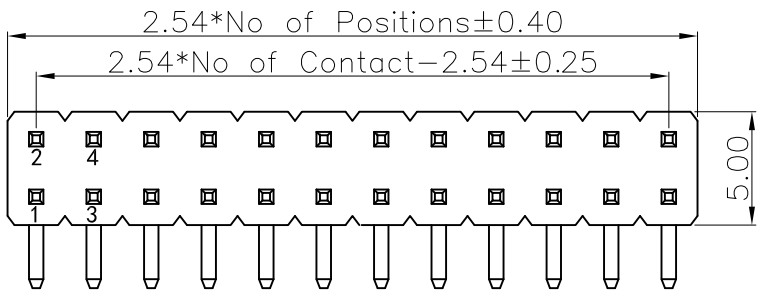


零件图	成品图	客户图
		○

REVISION DATA				
REV	ECN No.	DESCRIPTION	NAME	DATE
A0		NEW DRAWING	JIN	2020-09-09



Technical Data

Material:
 Contact Material: Copper alloy
 Contact plating: Au or Sn Over Ni
 Insulator Material: See the table, UL94 V-0

Electrical:
 Rating current: 3Amps/contact max.
 Rating voltage : 250 V AC/DC
 Contact resistance: ≤20mΩ/contact
 Insulation resistance: ≥1000MΩ
 Withstanding Voltage: 1000V AC/minute

Mechanical:
 Operating temperatures: Gold Plated: -55°C to +105°C
 Tin plated: -40°C to +105°C
 Soldering temperature: +260°C, 10S max (PA6T/PA9T/LCP)
 +220°C, 10S max (PBT).

	0A	0C	0B	PIN LENGTH
DIM.	3.00	2.50	3.00	9.60/14.45
	5.50	2.80	3.50	12.70/17.75
	8.00	3.00	4.00	15.90/20.95
	12.00	3.50	5.00	21.40/26.45

0A, 0B and 0C can be customized by customers

P120	12	XXX	XX	R	X	X	N	RXXX
Product Descriptions P120 H=2.5	Product Type 12 Dual Row	No. of Positions XXX Poles	Pin Plating G0 Gold Flash G1 1u" Au G6 Au10u" S1 Sn+Au1u" S7 Sn+Au15u" S8 Sn+Au30u" T3 Matte Sn	Angle options R Right Angle	Insulator Material A PBT+G/F 30% B PA66+G/F 30% C PA6T+G/F 30% D LCP+G/F 30%	Color B Black W White L Blue G Green Y Yellow R Red N Natural		Pin length (mm) L=XXXmm

ANYCONN®
 www.anyconn.com
 TEL:+86(0)769 8904 9672
 FAX:+86(0)769 8904 9671
 E-MAIL:sales@anyconn.com

东莞市恩康电子科技有限公司
DONGGUAN ENKANG ELECTRONICS TECHNOLOGY CO.,LTD

TOLERANCE	DATE : 2020-09-09	TITLE: 2.54mm Pin Header Double Row Right Angle Pin Length XXXX/XXXX mm
ANGLE ±5°	DRAWN : JIN	PART NO: P12012XXXXRXXXNRXXX
X.XXX ±0.15	CHECKED :	
X.XX ±0.25	APPROVED :	
X.X ±0.40	PROJECTON	REV: A0
X. ±0.50		UNIT: mm
		SCALE: 1:1
		SIZE: A4
		PAGE: 1/1