

零件图	成品图	客户图
		○

REVISION DATA				
REV	ECN No.	DESCRIPTION	NAME	DATE
A0		NEW DRAWING	JIN	2020-09-09

Technical Data

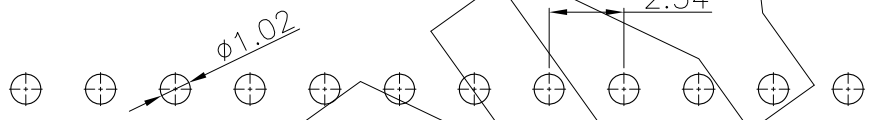
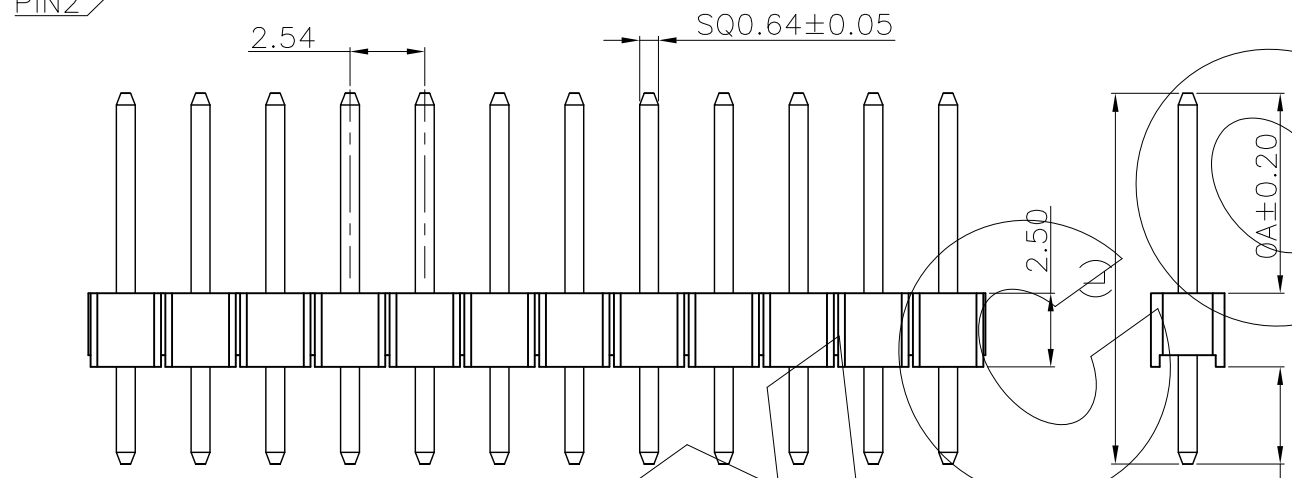
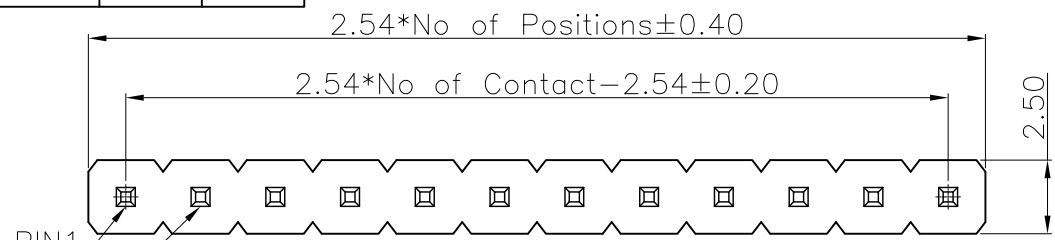
Material:
 Contact Material: Copper alloy
 Contact plating: Au or Sn Over Ni
 Insulator Material: See the table, UL94 V-0

Electrical:
 Rating current: 3Amps/contact max.
 Rating voltage : 250 V AC/DC
 Contact resistance: $\leq 20m\Omega$ /contact
 Insulation resistance: $\geq 1000M\Omega$
 Withstanding Voltage: 1000V AC/minute

Mechanical:
 Operating temperatures: Gold Plated: $-55^{\circ}C$ to $+105^{\circ}C$
 Tin plated: $-40^{\circ}C$ to $+105^{\circ}C$
 Soldering temperature: $+260^{\circ}C, 10S$ max(PA6T/PA9T/LCP)
 $+220^{\circ}C, 10S$ max(PBT).

	OA	OC	L
DIM.	3.00	2.30	7.80
	5.50	2.80	10.80
	8.00	3.00	13.50
	12.00	3.20	17.70

OA and OC can be customized by customers



Recommended P.C.B Layout
 General Tolerance ± 0.05

P120	11	XXX	XX	D	X	X	N	DXXX
Product Descriptions P120 H=2.5	Product Type 11 Single row	No. of Positions XXX Poles	Pin Plating G0 Gold Flash G1 1u" Au G6 Au10u" S1 Sn+Au1u" S7 Sn+Au15u" S8 Sn+Au30u" T3 Matte Sn	Angle options D Straight	Insulator Material A PBT+G/F 30% B PA66+G/F 30% C PA6T+G/F 30% D LCP+G/F 30%	Color B Black W White L Blue G Green Y Yellow R Red N Natural		Pin length(mm) L=XXXmm

ANYCONN® 东莞市恩康电子科技有限公司
 DONGGUAN ENKANG ELECTRONICS TECHNOLOGY CO.,LTD

www.anyconn.com
 TEL:+86(0)769 8904 9672
 FAX:+86(0)769 8904 9671
 E-MAIL:sales@anyconn.com

TOLERANCE	DATE : 2020-09-09	TITLE: 2.54mm Pin Header Single Row Straight LengthXXXmm
ANGLE $\pm 5^{\circ}$	DRAWN : JIN	PART NO: P12011XXXXDXXXNDXXX
X.XXX ± 0.15	CHECKED :	
X.XX ± 0.25	APPROVED :	
X.X ± 0.40	PROJECTON	REV: A0
X. ± 0.50		UNIT: mm
		SCALE: 1:1
		SIZE: A4
		PAGE: 1/1