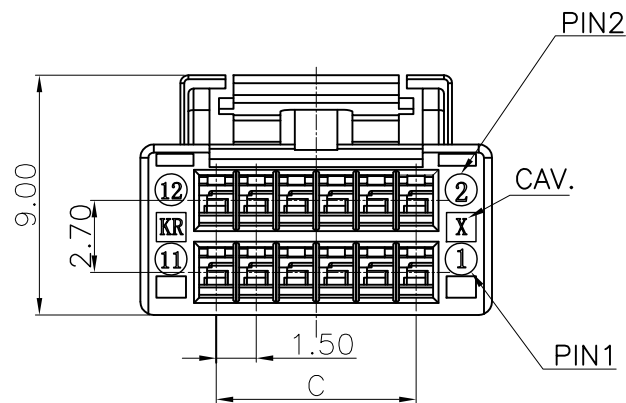
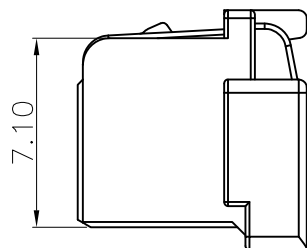
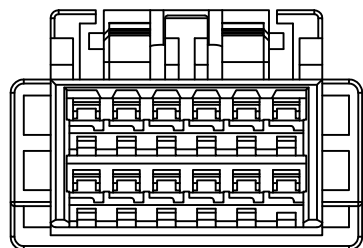
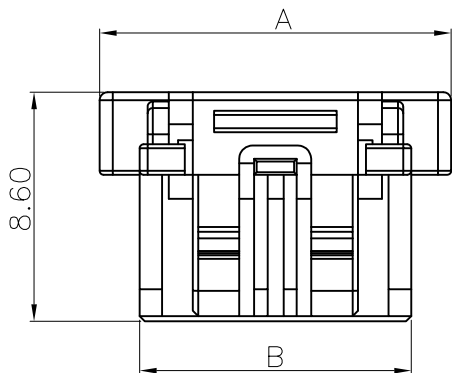


零件图	成品图	客户图
		○

REVISION DATA				
REV	ECN No.	DESCRIPTION	NAME	DATE
A0		NEW DRAWING	D.Y.Y	2023-04-10



Technical Data

Current rating:3A AC/DC.  
Voltage rating:100V AC/DC  
Temperature range:-40°C~+105°C.  
Contact resistance:20MΩ Max.  
Insulation resistance:500MΩ Min.  
Withstanding voltage: 500V AC/minute.  
Material:PBT,UL94V-0.  
Mating Terminal:VHSHXXP0690A

Poles	Dimension		
	A	B	C
2*4P	10.20	7.20	4.50
2*5P	11.70	8.70	6.00
2*6P	13.20	10.20	7.50
2*7P	14.70	11.70	9.00
2*8P	16.20	13.20	10.50
2*9P	17.70	14.70	12.00
2*10P	19.20	16.20	13.50
2*11P	20.70	17.70	15.00
2*12P	22.20	19.20	16.50
2*13P	23.70	20.70	18.00
2*14P	25.20	22.20	19.50
2*15P	26.70	23.70	21.00
2*16P	28.20	25.20	22.50
2*17P	29.70	26.70	24.00
2*18P	31.20	28.20	25.50
2*19P	32.70	29.70	27.00
2*20P	34.20	31.20	28.50

VHS	H	12	XXX	A	X	L	R	02
H PH 1.5	Pin位数 Product Type 11 Single row 12 Double row	Pin位数 No. of Positions XXX Positions	材质 A PBT B PA-66 D LCP	颜色 B Black W White N Natural	特征流水码 N 常规 W 带柱 O 外柱 L 带卡钩 C 带翅膀	R ROHS L 无卤	Series No.	

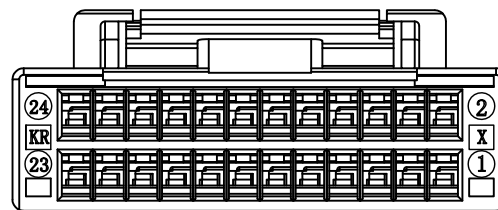
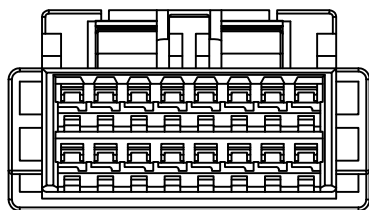
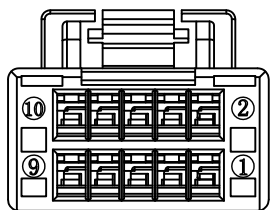
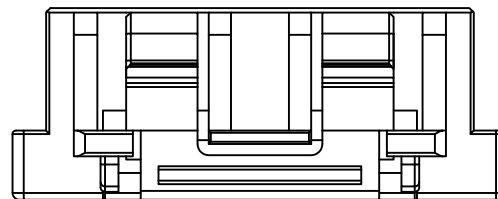
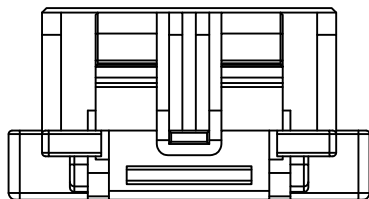
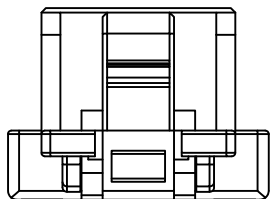
**ANYCONN®**  
www.anyconn.com  
TEL:+86(0)769 8904 9672  
FAX:+86(0)769 8904 9671  
E-MAIL:sales@anycom.tw

**东莞市恩康电子科技有限公司**  
**DONGGUAN ENKANG ELECTRONICS TECHNOLOGY CO.,LTD**

TOLERANCE	DATE :	2023-04-10	TITLE:	Pitch1.50 H8.60 Housing			
ANGLE ±5°	DRAWN :	D.Y.Y	PART NO: VHSH12XXXAXLR02				
X.XXX ±0.10	CHECKED :						
X.XX ±0.20	APPROVED :						
X.X ±0.30	PROJECTON		REV: A0	UNIT: mm	SCALE: 1:1	SIZE: A4	PAGE: 1/2
X. ±0.50							

零件图	成品图	客户图
		○

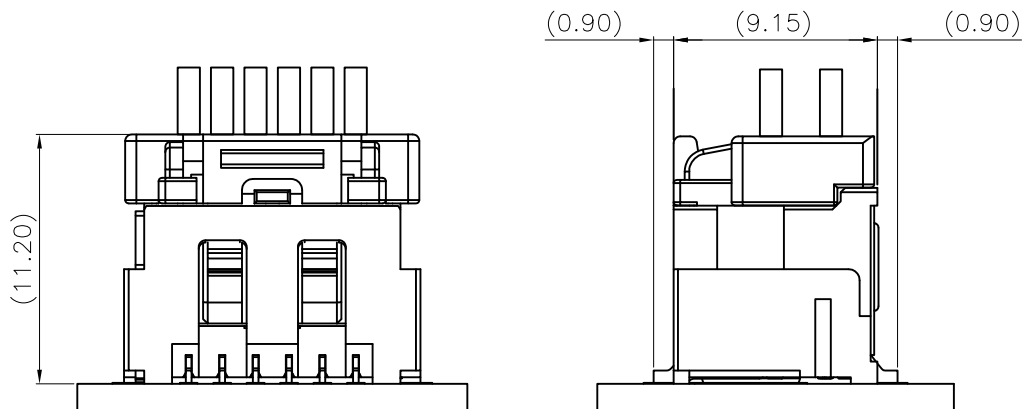
REVISION DATA				
REV	ECN No.	DESCRIPTION	NAME	DATE
A0		NEW DRAWING	D.Y.Y	2023-04-10



2x4~2x5PIN

2x6~2x9 PIN

2x10~2x20PIN



MATED CONNECTORS

**ANYCONN®**  
 www.anyconn.com  
 TEL:+86(0)769 8904 9672  
 FAX:+86(0)769 8904 9671  
 E-MAIL:sales@anyconn.com

东莞市恩康电子科技有限公司

**DONGGUAN ENKANG ELECTRONICS TECHNOLOGY CO.,LTD**

TOLERANCE ANGLE ±5° X.XXX ±0.10 X.XX ±0.20 X.X ±0.30 X. ±0.50	DATE :	2023-04-10	TITLE:		
	DRAWN :	D.Y.Y	Pitch1.50 H8.60 Housing		
	CHECKED :		PART NO: VHSH12XXXAXLR02		
	APPROVED :				
PROJECTON		REV: A0	UNIT: mm	SCALE: 1:1	SIZE: A4
				PAGE: 2/2	