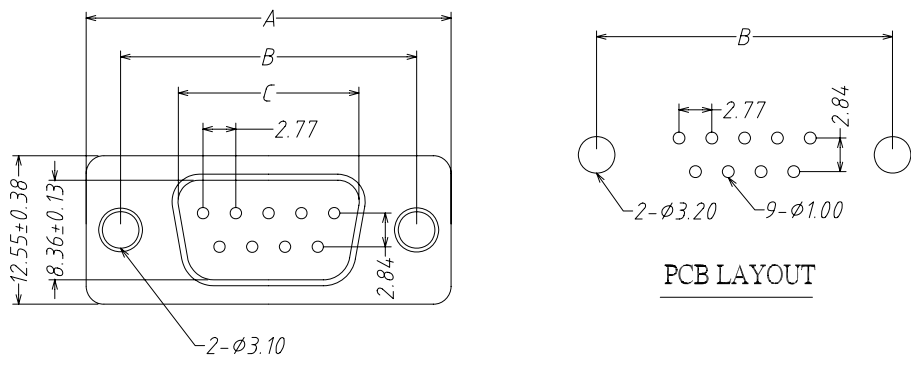
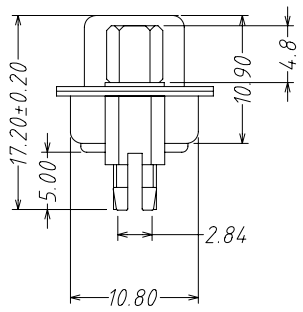
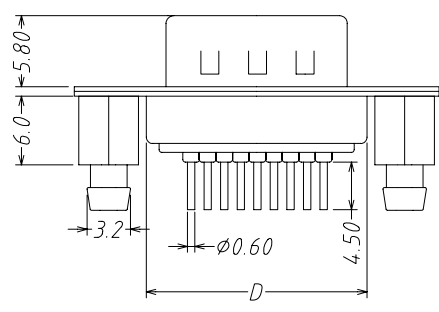


零件图 成品图 客户图 RoHS COMPLIANT

REVISION DATA				
REV	ECN No.	DESCRIPTION	NAME	DATE
A0		NEW DRAWING	D.Y.Y	2019-04-19



PCB LAYOUT



SPECIFICATIONS:

ELECTRICAL SPECIFICATION

Contact Current Rating: 3 Amperes
 Dielectric Withstanding Voltage:
 AC 1000/60ses.r.m.s.
 Insulation Resistance:
 5000 Megohms MINMUM at DC 500V
 Contact Resistance: 25 MilliOhms Maximum
 Operating Tempetature: -55°C__+105°C

MECHANICAL CHATACTERISTICS:

Contact Insertion Force: 300gfMax
 Contact Separation Force; 25gf Min

MATERIALS:

Contacts: Brass Gold Plated
 Insulator: PBT+30%
 Shell(FronD): Steel NI Plated
 Shell(Read): Steel TIN Plated

NO.POS	A±0.38	B±0.13	C±0.20	D±0.38
9PIN	30.80	24.99	16.92	19.28
15PIN	39.20	33.32	25.25	27.65
25PIN	53.10	47.04	38.96	41.20
37PIN	69.40	63.50	55.42	57.44

DS	M	D	XXX	XX	X	X	W	E
种类型号 Insulator Type M Male(公) F Female(母)	角度选项 Angel Options D Straight(180°) R RightAngle S 焊接式(180°)	Pin 位数 No. of Positions 009 Positions 015 Positions 025 Positions 037 Positions	电镀 Clip Plated G1 :Au1u" S1 :半金锡 S9 :半金锡30u"	塑胶类型 Insulator Type S 单排 D 双排 K 三排	塑胶颜色 Insulator Color 1 Black黑色 2 Brown褐色 3 White白色 4 Yellow黄色 5 Bule蓝色	螺丝 N 无螺丝 W 有螺丝	产品流水码 Series A B C D · · ·	

ENKCOM® 东莞市恩康电子科技有限公司
 www.enkcom.com DONGGUAN ENKANG ELECTRONICS TECHNOLOGY CO.,LTD

TOLERANCE	DATE :	2019-04-19	TITLE:
ANGLE ±5°	DRAWN :	D.Y.Y	D-sub 公 后柳鱼叉前锁螺丝直插板式
X.XXX ±0.15	CHECKED :		PART NO: DSMDXXXXXXXXWE
X.XX ±0.25	APPROVED :		
X.X ±0.40	PROJECTON		
X. ±0.50	REV: A0	UNIT: mm	SCALE: 1:1
		SIZE: A4	PAGE: 1/1