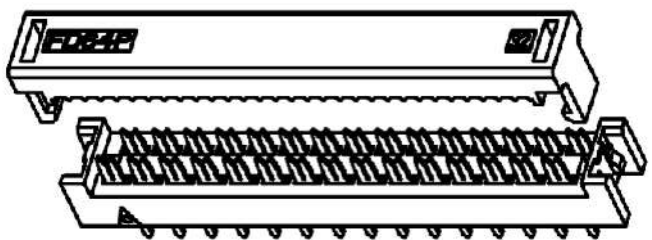
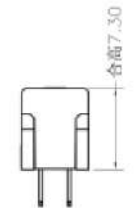
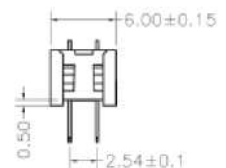
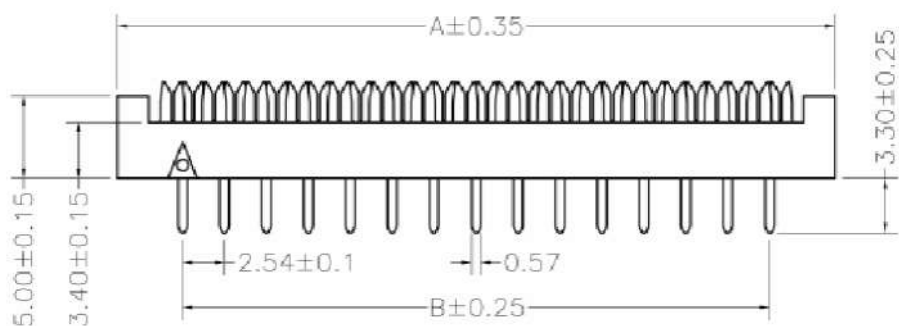
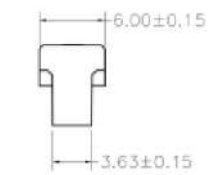
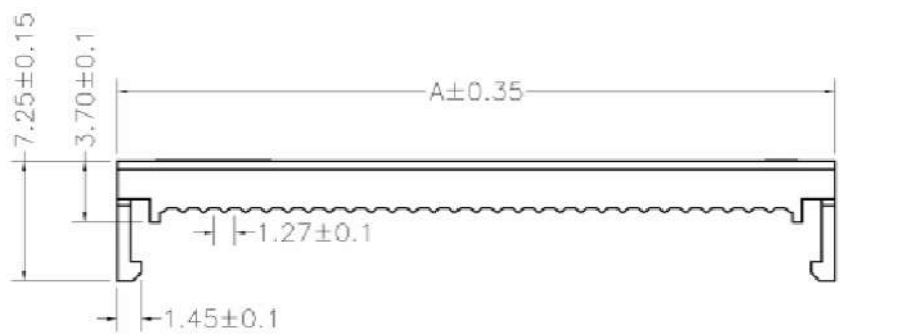


零件图	成品图	客户图
		○

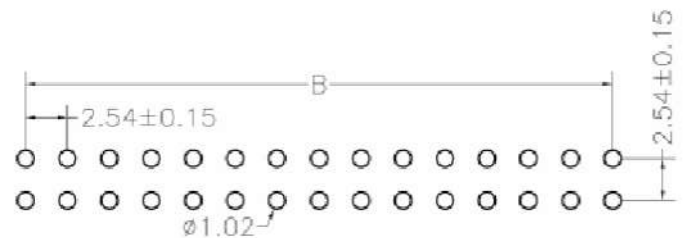
REVISION DATA				
REV	ECN No.	DESCRIPTION	NAME	DATE
A0		NEW DRAWING	Songjun	2022-06-02



MATERIAL&FINISH
 Insulator: PBT Glass Fiber(UL94V-0)
 Contact : Brass
 Contact : Gold-Plated Over Nickel.

ELECTRICAL CHARACTERISTICS:
 Current Rating: 1 Amp
 Contact Resistance: 20mΩ Max
 Withstanding Voltage: 500V AC/Min
 Insulation Resistance: 1000MΩ Min
 Temperature Range: -40° C To+105° C

PART NO	Dim. A	Dim. B
FD-06P	12.98	5.08
FD-08P	15.52	7.62
FD-10P	18.06	10.16
FD-12P	20.60	12.70
FD-14P	23.14	15.24
FD-16P	25.68	17.78
FD-18P	28.22	20.32
FD-20P	30.76	22.86
FD-22P	33.30	25.40
FD-24P	35.84	27.94
FD-26P	38.38	30.48
FD-30P	43.46	35.56
FD-34P	48.54	40.64
FD-40P	56.16	48.26
FD-44P	61.24	53.34
FD-50P	68.86	60.96
FD-60P	81.56	73.66
FD-64P	86.64	78.74



ENKCOM® 东莞市恩康电子科技有限公司
 www.enkcom.com
 TEL:+86(0)769 8904 9672
 FAX:+86(0)769 8904 9671
 E-MAIL:sales@anycom.tw
DONGGUAN ENKANG ELECTRONICS TECHNOLOGY CO.,LTD

TOLERANCE	DATE :	2022-06-02	TITLE:				
ANGLE ±5°	DRAWN :	Songjun	DIP-2.54 (合高7.3mm)				
X.XXX ±0.15	CHECKED :		PART NO: IDCEM301				
X.XX ±0.25	APPROVED :		REV:	UNIT:	SCALE:	SIZE:	PAGE:
X.X ±0.38	PROJECTON		A0	mm	1:1	A4	1/1
X. ±0.50							