

4

3

2

1

REVISION DATA

REV	DESCRIPTION	DATE
A0	NEW DRAWING	2017-08-08

PART NO	Dim. A	Dim. B
8P	6.0	13.2
10P	8.0	15.2
12P	10.0	17.2
14P	12.0	19.2
16P	14.0	21.2
18P	16.0	23.2
20P	18.0	25.2
22P	20.0	27.2
24P	22.0	29.2
26P	24.0	31.2
28P	26.0	33.2
30P	28.0	35.2
34P	32.0	39.2
36P	34.0	41.2
40P	38.0	45.2
44P	42.0	49.2
50P	48.0	55.2
56P	54.0	61.2

MATERIAL&FINISH

Insulator: PBT Glass Fiber(UL94V-0)

Contact : Brass

Contact : Gold-Plated Over Nickel.

SPECIFICATIONS

Current Rating : 1A AC,DC

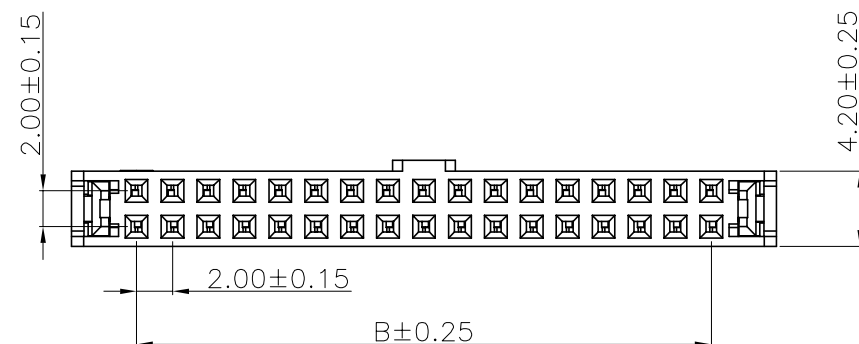
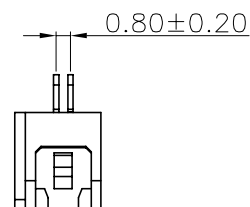
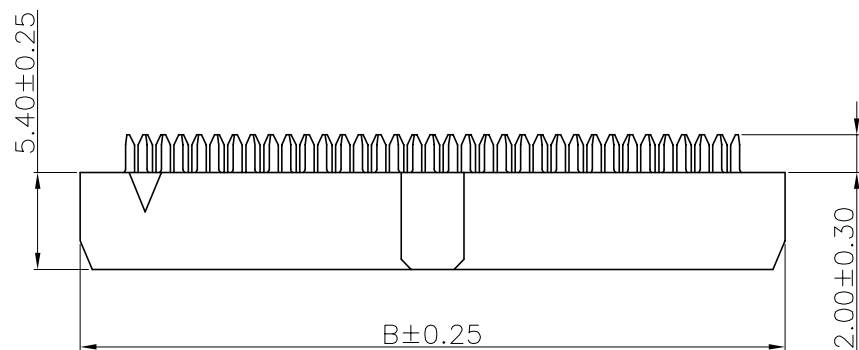
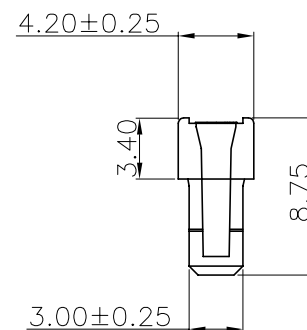
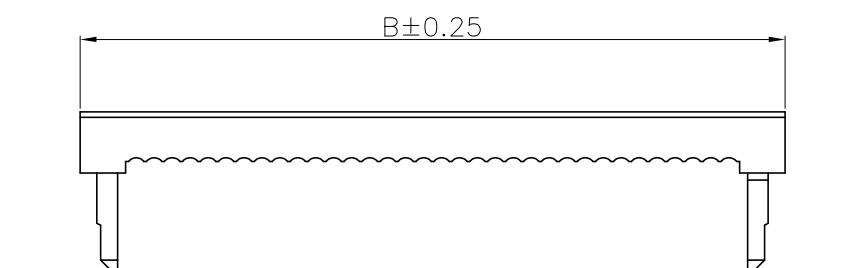
Voltage Rating : 250V AC,DC

Temperature Range: -40°C To+105°C

Contact Resistance: 20mΩ Min

Insulation Resistance: 1000MΩ Min

Withstanding Voltage: 500V AC/Min



ENKCOM

东莞市恩康电子科技有限公司

www.enkcom.com

DONGGUAN ENKANG ELECTRONICS TECHNOLOGY CO.,LTD

TOLERANCE	PROJECTON		TITLE:
ANGLE ±5°	DATE :	2017-08-08	PH2.0mm IDC二件式
X.XXX ±0.15	DRAWN :	Songjun	PART NO: IDCF201
X.XX ±0.25	CHECKED :		
X.X ±0.35	APPROVED :		REV: A0
X. ±0.50			UNIT: mm
			SCALE: N:1
			SIZE: A4

4

3

2

1