

零件图	成品图	客户图
		○

REVISION DATA				
REV	ECN No.	DESCRIPTION	NAME	DATE
A0		NEW DRAWING	S.J	2022-04-07

MATERIAL&FINISH

Insulator: PBT Glass Fiber(UL94V-0)

Contact: Brass

Contact: Gold-Plated Over Nickel.

SPECIFICATIONS

Current Rating :1A AC,DC

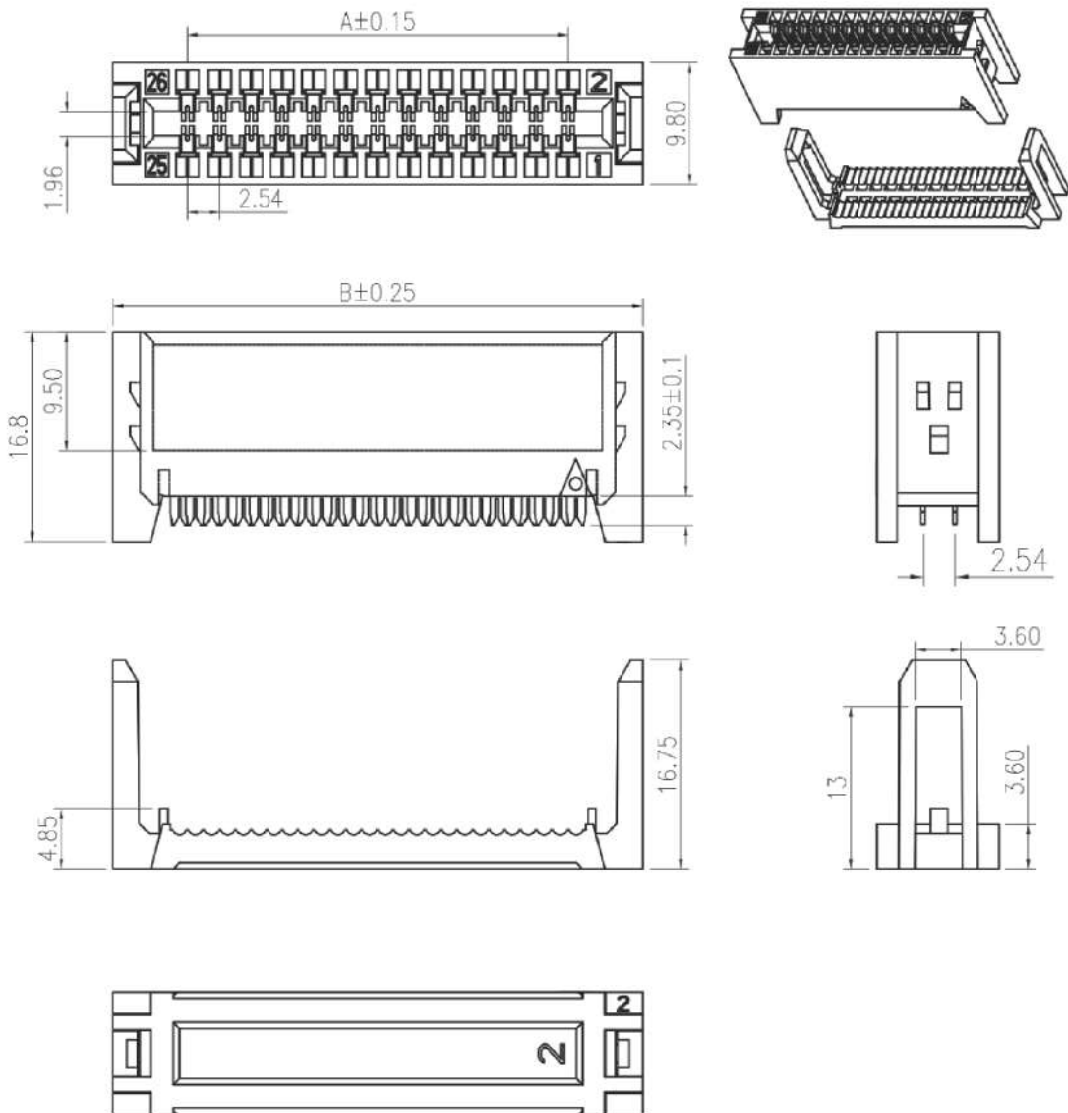
Voltage Rating : 250V AC,DC

Temperature Range:-20°C To+105°C

Contact Resistance:20mΩ Max

Insulation Resistance:1000mΩ Min

Withstanding Voltage:500V AC/Min



NUMBER OF POSITIONS	DIMENSION		NUMBER OF POSITIONS	DIMENSION	
	A	B		A	B
10	10.16	22.00	24	27.94	39.78
12	12.70	24.54	26	30.48	42.32
14	15.24	27.08	34	40.64	52.48
16	17.78	29.62	36	43.18	55.02
20	22.86	34.70	40	48.26	60.10

ANYCONN® 东莞市恩康电子科技有限公司
 www.enkcom.com
 TEL:+86(0)769 8904 9672
 FAX:+86(0)769 8904 9671
 E-MAIL:sales@anycom.tw
DONGGUAN ENKANG ELECTRONICS TECHNOLOGY CO.,LTD

TOLERANCE	DATE :	2022-04-07	TITLE:		
ANGLE ±5°	DRAWN :	S.J	PH2.54mm IDC 二件式		
X.XXX ±0.15	CHECKED :		PART NO: IDCEF3C		
X.XX ±0.25	APPROVED :				
X.X ±0.40	PROJECTON		REV: A0	UNIT: mm	SCALE: 1:1
X. ±0.50			SIZE: A4	PAGE: 1/1	