

零件图	成品图	客户图
		○

REVISION DATA				
REV	ECN No.	DESCRIPTION	NAME	DATE
A0		NEW DRAWING	Songjun	2018-03-21

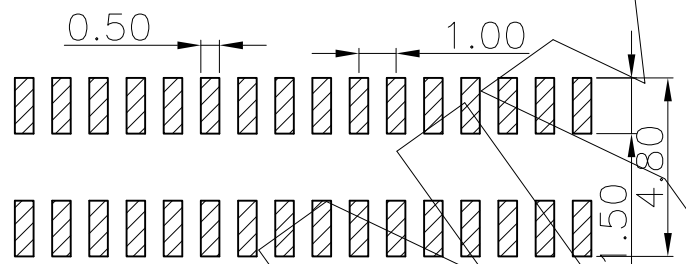
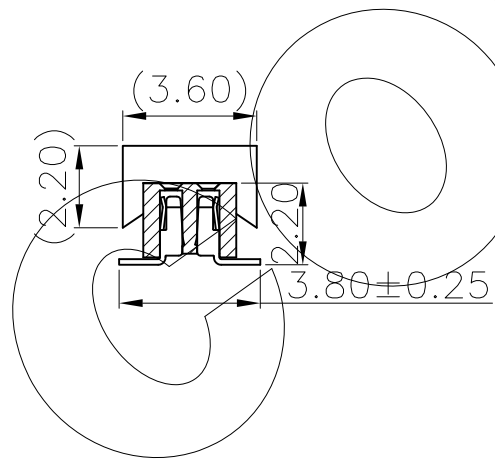
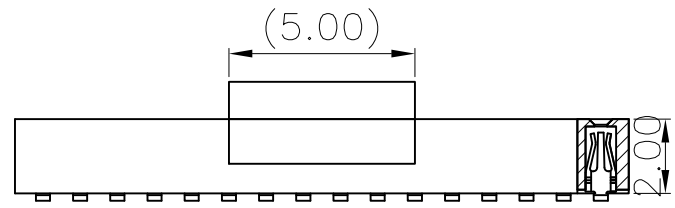
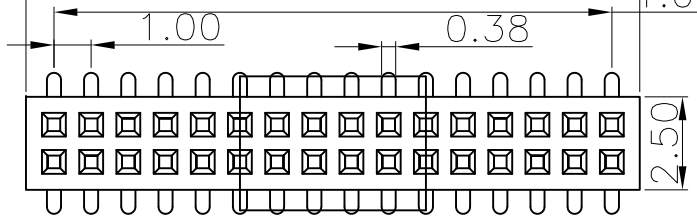
Technical Data

Material:
 Contact Material: Phosphor Bronze
 Contact plating: Au or Sn Over Ni
 Insulator Material: See the table, UL94 V-0

Electrical:
 Rating current: 0.75Amps/contact max.
 Rating voltage : 100 V AC/DC
 Contact resistance: $\leq 20m\Omega$ /contact
 Insulation resistance: $\geq 500M\Omega$
 Withstanding Voltage: 300V AC/minute

Mechanical:
 Operating temperatures: Gold Plated: $-55^{\circ}C$ to $+105^{\circ}C$
 Tin plated: $-40^{\circ}C$ to $+105^{\circ}C$
 Soldering temperature: $+260^{\circ}C$, 10S max (PA6T/PA9T)

$1.00 \times \text{No. of Positions} + 0.40 \pm 0.30$
 $1.00 \times \text{No. of Contacts} - 1.00 \pm 0.15$



Recommended P.C.B Layout
 General Tolerance ± 0.05

F112	12	XXX	XX	S	X	B	N	C	0C
Product Descriptions F112 H=2.0	Product Type 12 Dual Row	No. of Positions XXX Poles	Pin Plating G1 Gold 1u" SN Tin Plated	Angle options S SMT	Insulator Material A PBT B PA66 C PA6T D LCP	Color B Black	N No W with Peg	Series NO. C OE=3.80mm	

ANYCONN® 东莞市恩康电子科技有限公司
 www.anyconn.com
 TEL: +86(0)769 8904 9672
 FAX: +86(0)769 8904 9671
 E-MAIL: sales@anyconn.com

DONGGUAN ENKANG ELECTRONICS TECHNOLOGY CO.,LTD

TOLERANCE	DATE : 2018-03-21	TITLE: PH1.00 H2.20mm Dual Row SMT Female Header
ANGLE $\pm 5^{\circ}$	DRAWN : Songjun	PART NO: F11212XXXXXXSXBNC0C
X.XXX ± 0.15	CHECKED :	
X.XX ± 0.25	APPROVED :	
X.X ± 0.40	PROJECTON	
X. ± 0.50		REV: A0 UNIT: mm SCALE: 1:1 SIZE: A4 PAGE: 1/1