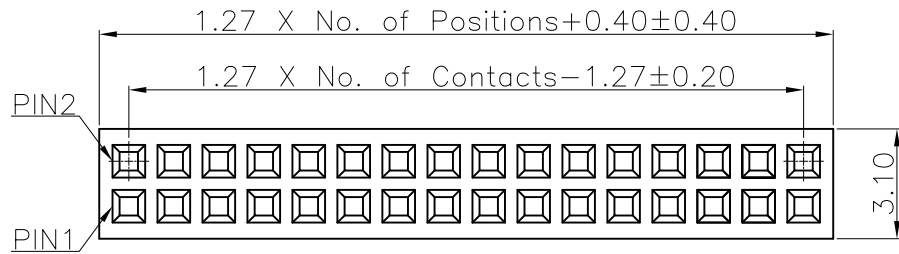


零件图	成品图	客户图
		○

REVISION DATA				
REV	ECN No.	DESCRIPTION	NAME	DATE
A0		NEW DRAWING	Songjun	2017-09-09

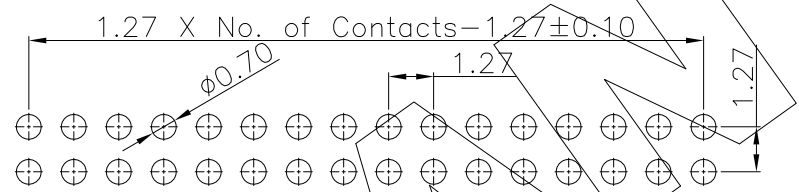
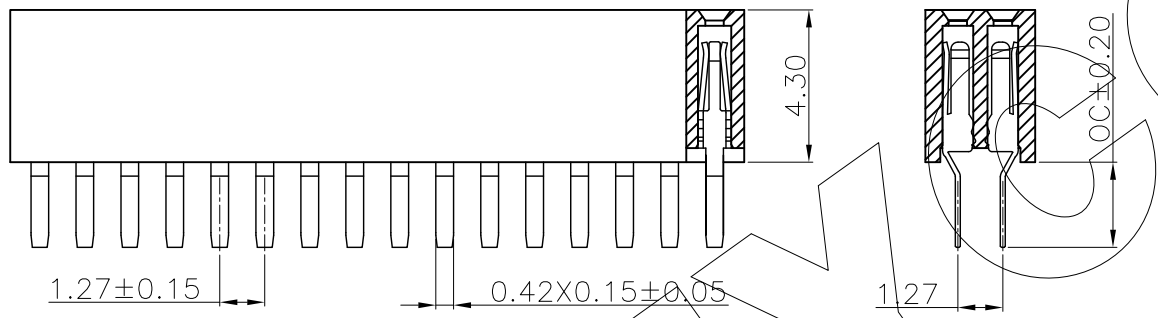


Technical Data

Material:
 Contact Material: Phosphor Bronze
 Contact plating: Au or Sn Over Ni
 Insulator Material: See the table, UL94 V-0

Electrical:
 Rating current: 1Amps/contact max.
 Rating voltage : 250 V AC/DC
 Contact resistance: ≤ 20mΩ/contact
 Insulation resistance: ≥ 500MΩ
 Withstanding Voltage: 300V AC/minute

Mechanical:
 Operating temperatures: Gold Plated: -55°C to +105°C
 Tin plated: -40°C to +105°C
 Soldering temperature: +260°C, 10S max (PA6T/PA9T/LCP)



Recommended P.C.B. Layout
 General Tolerance ± 0.05

F136	12	XXX	XX	D	X	X	N	X	00
Product Descriptions F136 H=4.30	Product Type 12 Double row	No. of Positions XXX Poles	Pin Plating G0 GOLD FLASH G1 1U" AU G6 AU10U" S1 SN+AU1U" S7 SN+AU15U" S8 SN+AU30U" T3 MATTE SN	Angle options D Stright	Insulator Material C PA6T D LCP F PA9T	Color B Black W White		Series NO. A OC=2.40mm B OC=3.00mm C OC=3.20mm D OC=2.80mm	

ANYCONN® 东莞市恩康电子科技有限公司
 www.anyconn.com
 TEL: +86(0)769 8904 9672
 FAX: +86(0)769 8904 9671
 E-MAIL: sales@anyconn.tw
DONGGUAN ENKANG ELECTRONICS TECHNOLOGY CO.,LTD

TOLERANCE	DATE :	2020-09-09	TITLE:	PH1.27 H4.30 Dual Row Straight Female Header	
ANGLE ±5°	DRAWN :	Songjun	PART NO: F13612XXXXDXXXN00		
X.XXX ±0.15	CHECKED :				
X.XX ±0.25	APPROVED :		REV: A0	UNIT: mm	SCALE: 1:1
X.X ±0.40	PROJECTON		SIZE: A4	PAGE: 1/1	
X. ±0.50					