

零件图	成品图	客户图
		○

REVISION DATA

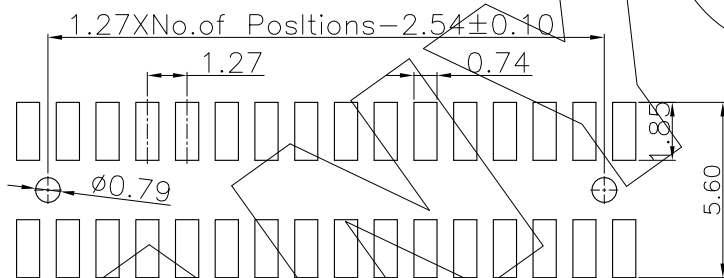
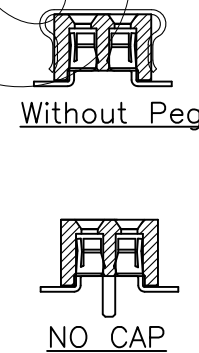
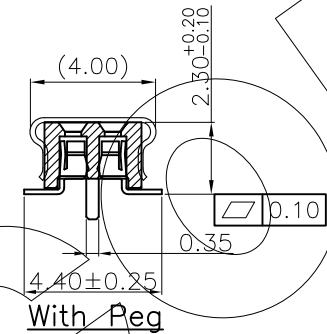
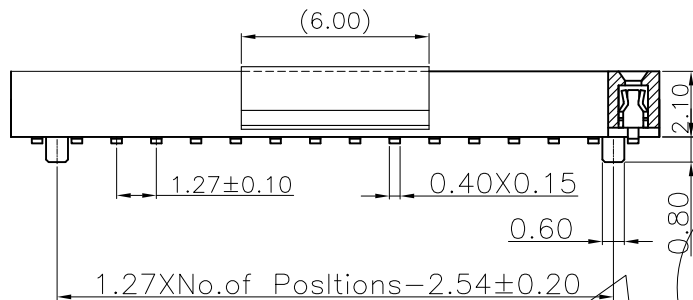
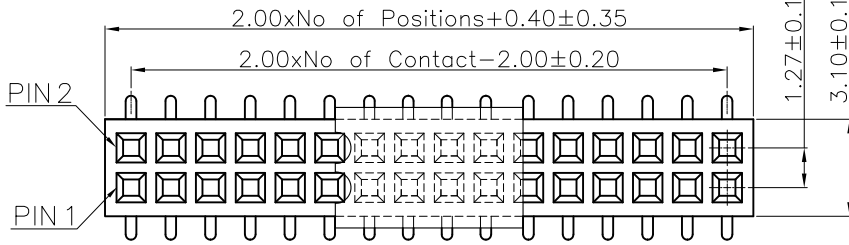
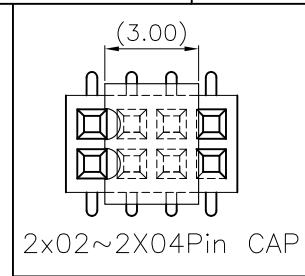
REV	ECN No.	DESCRIPTION	NAME	DATE
A0		NEW DRAWING	Songjun	2015-05-21

Technical Data

Material:
 Contact Material: Phosphor Bronze
 Contact plating: Au or Sn Over Ni
 Insulator Material: See the table, UL94 V-0

Electrical:
 Rating current: 1Amps/contact max.
 Rating voltage : 250 V AC/DC
 Contact resistance: $\leq 20m\Omega$ /contact
 Insulation resistance: $\geq 1000M\Omega$
 Withstanding Voltage: 300V AC/minute

Mechanical:
 Operating temperatures: Gold Plated: $-55^{\circ}C$ to $+105^{\circ}C$
 Tin plated: $-40^{\circ}C$ to $+105^{\circ}C$
 Soldering temperature: $+260^{\circ}C$, 10S max (PA6T/PA9T)



Recommended P.C.B Layout
 General Tolerance ± 0.05

F113	12	XXX	XX	S	X	X	X	A	0X
Product Descriptions F113 H=2.10 W=3.10	Product Type 12 Dual Row	No. of Positions XXX Poles	Pin Plating G1 Gold 1u" SN Tin Plated	Angle options S SMT	Insulator Material C PA6T D LCP F PA9T	Color B Black W White	N Without Peg W With Peg	Series NO. A OE=4.40mm	

ANYCONN®
 www.anyconn.com
 TEL:+86(0)769 8904 9672
 FAX:+86(0)769 8904 9671
 E-MAIL:sales@anyconn.com

东莞市恩康电子科技有限公司
DONGGUAN ENKANG ELECTRONICS TECHNOLOGY CO.,LTD

TOLERANCE	DATE :	2015-05-21	TITLE:	PH1.27 H2.10 Dual Row SMT With CAP Female Header			
ANGLE $\pm 5^{\circ}$	DRAWN :	Songjun	PART NO: F11312XXXXXXXA0X				
X.XXX ± 0.15	CHECKED :						
X.XX ± 0.25	APPROVED :						
X.X ± 0.40	PROJECTON		REV: A0	UNIT: mm	SCALE: 1:1	SIZE: A4	PAGE: 1/1
X. ± 0.50							