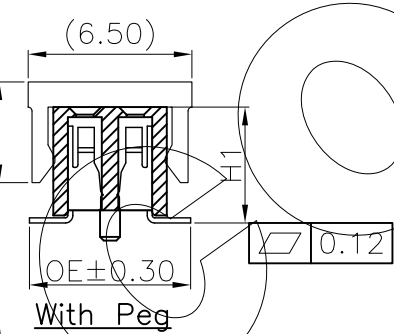
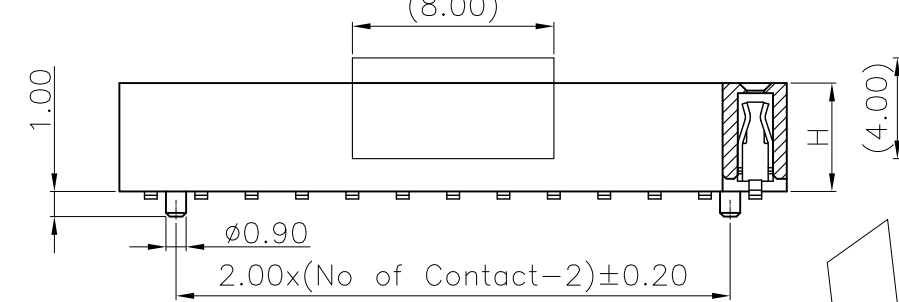
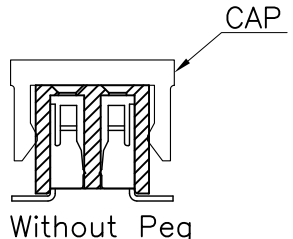
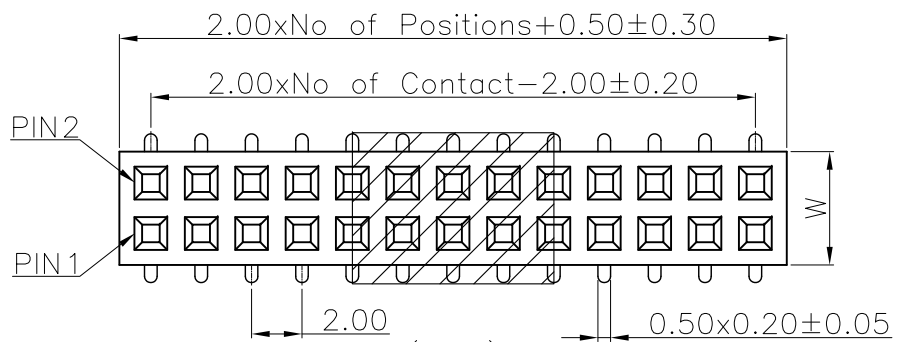


| | | |
|-----|-----|-----|
| 零件图 | 成品图 | 客户图 |
| | | ○ |

| REVISION DATA | | | | |
|---------------|---------|-------------|---------|------------|
| REV | ECN No. | DESCRIPTION | NAME | DATE |
| A0 | | NEW DRAWING | Songjun | 2017-02-07 |

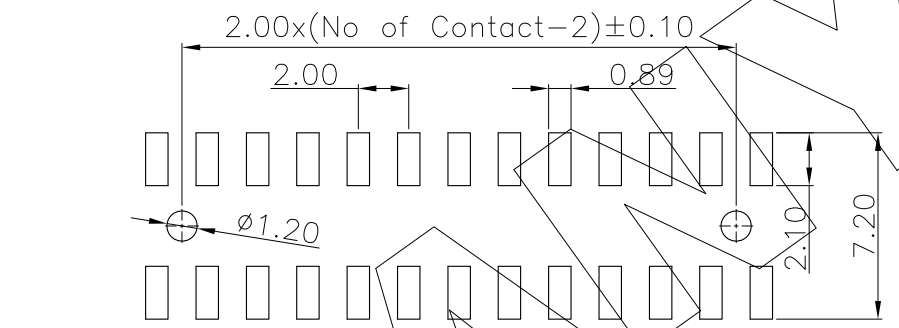


Technical Data

Material:
 Contact Material: Phosphor Bronze
 Contact plating: Au or Sn Over Ni
 Insulator Material: See the table, UL94 V-0

Electrical:
 Rating current: 1.5Amps/contact max.
 Rating voltage : 250 V AC/DC
 Contact resistance: ≤20mΩ/contact
 Insulation resistance: ≥1000MΩ
 Withstanding Voltage: 450V AC/minute

Mechanical:
 Operating temperatures: Gold Plated: -55°C to +105°C
 Tin plated: -40°C to +105°C
 Soldering temperature: +260°C, 10S max (PA6T/PA9T/LCP)



Recommended P.C.B Layout
 General Tolerance ±0.05

| Part No. | W | H | H1 | OE |
|--------------------|------|------|------|------------------|
| F12212 A series of | 4.00 | 4.30 | 4.60 | A 6.20 B 6.40 |
| F12312 A series of | 4.50 | 4.30 | 4.60 | |
| F12612 A series of | 4.00 | 4.60 | 4.90 | |
| F12712 A series of | 4.50 | 4.60 | 4.90 | |
| F13712 A series of | 4.00 | 4.00 | 4.30 | |
| F13812 A series of | 4.50 | 4.00 | 4.30 | |

| | | | | | | | | | |
|--|-----------------------------|-------------------------------|---|------------------------|---|-----------------------------|-----------------------------|--------------------------------------|----|
| FXXX | 12 | XXX | XX | S | X | X | X | X | 0C |
| Product Descriptions FXXX H=4.0/4.3/4.6 W=4.00/4.50 | Product Type 12 Dual Row | No. of Positions XXX Poles | Pin Plating G0 GOLD FLASH G1 1U" AU G6 AU10U" S1 SN+AU15U" S7 SN+AU15U" S8 SN+AU30U" T3 MATTE SN | Angle options S SMT | Insulator Material C PA6T+G/F30% A PBT+G/F30% D LCP+G/F30% | Color B Black W White | N Without Peg W With Peg | Series NO. A OC=6.20 B OC=6.40 | |

ANYCONN® 东莞市恩康电子科技有限公司
 www.anyconn.com
 TEL:+86(0)769 8904 9672
 FAX:+86(0)769 8904 9671
 E-MAIL:sales@anyconn.com
DONGGUAN ENKANG ELECTRONICS TECHNOLOGY CO.,LTD

| | | | |
|-------------|------------|------------|---|
| TOLERANCE | DATE : | 2017-02-07 | TITLE: |
| ANGLE ±5° | DRAWN : | Songjun | Pitch2.0 H4.0/4.3/4.6mm Female Header Straight Dual Row Series |
| X.XXX ±0.15 | CHECKED : | | FXXX12XXXXX0C |
| X.XX ±0.25 | APPROVED : | | |
| X.X ±0.40 | PROJECTON | | |
| X. ±0.50 | REV: A0 | UNIT: mm | SCALE: 1:1 |
| | SIZE: A4 | PAGE: 1/1 | |