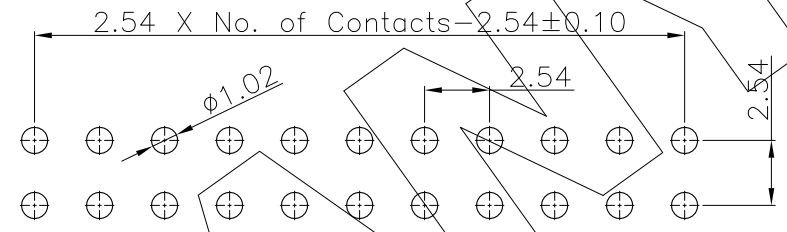
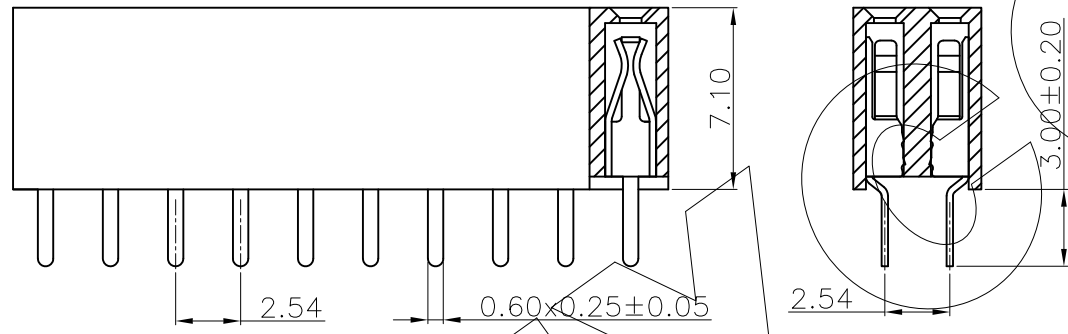
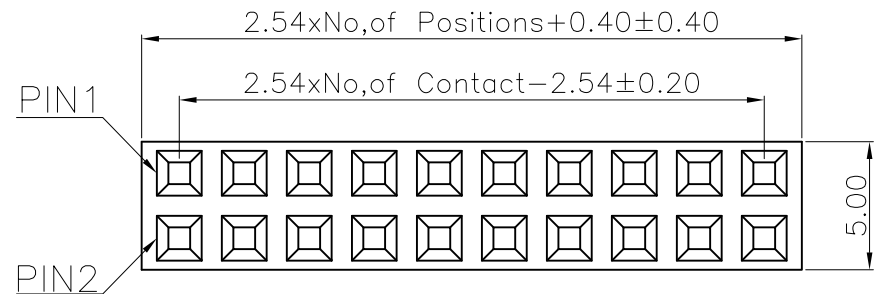


零件图	成品图	客户图
		○

REVISION DATA				
REV	ECN No.	DESCRIPTION	NAME	DATE
A0		NEW DRAWING	Songjun	2018-03-21



Recommended PCB Layout  
General Tolerance ±0.05

### Technical Data

Material:  
 Contact Material: Copper alloy  
 Contact plating: Au or Sn Over Ni  
 Insulator Material: See the table, UL94 V-0

Electrical:  
 Rating current: 3Amps/contact max.  
 Rating voltage : 250 V AC/DC  
 Contact resistance: ≤20mΩ/contact  
 Insulation resistance: ≥1000MΩ  
 Withstanding Voltage: 1000V AC/minute

Mechanical:  
 Operating temperatures: Gold Plated: -55°C to +105°C  
 Tin plated: -40°C to +105°C  
 Soldering temperature: +260°C, 10S max (PA6T/PA9T/LCP)

F132	12	XXX	XX	D	X	X	N	A	00
Product Descriptions F134 H=7.1	Product Type 12 Dual Row	No. of Positions XXX Poles	Pin Plating G0 GOLD FLASH G1 1U" AU G6 AU10U" S1 SN+AU1U" S7 SN+AU15U" S8 SN+AU30U" T3 MATTE SN	Angle options D Straight	Insulator Material C PA6T D LCP F PA9T	Color B Black W White		Series NO. A OC=3.00	

**ANYCONN®** 东莞市恩康电子科技有限公司  
 www.anyconn.com  
 TEL:+86(0)769 8904 9672  
 FAX:+86(0)769 8904 9671  
 E-MAIL:sales@anyconn.com

**DONGGUAN ENKANG ELECTRONICS TECHNOLOGY CO.,LTD**

TOLERANCE	DATE : 2018-03-21	TITLE: PH2.54 H7.10mm Double Row Straight Female Header
ANGLE ±5°	DRAWN : Songjun	PART NO: F13212XXXXDXNA00
X.XXX ±0.15	CHECKED :	
X.XX ±0.25	APPROVED :	
X.X ±0.40	PROJECTON	REV: A0
X. ±0.50		UNIT: mm
		SCALE: 1:1
		SIZE: A4
		PAGE: 1/1