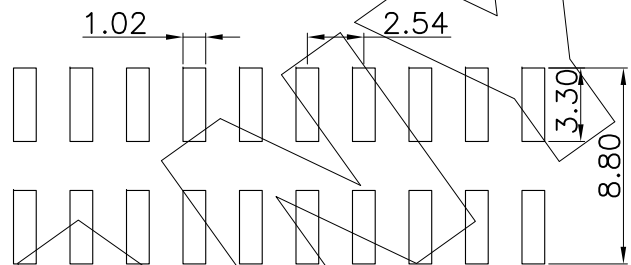
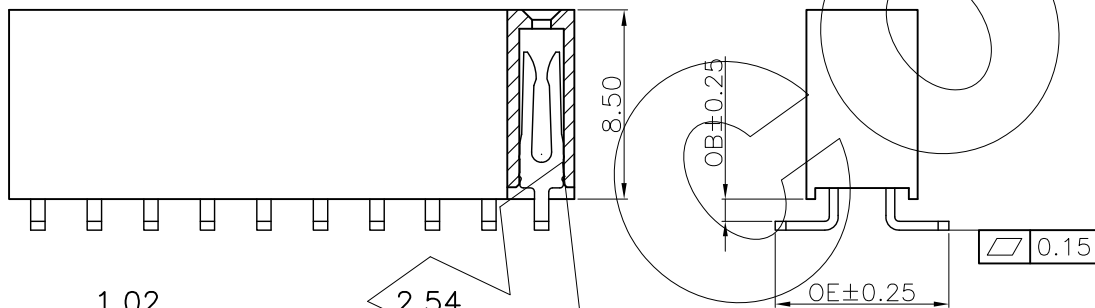
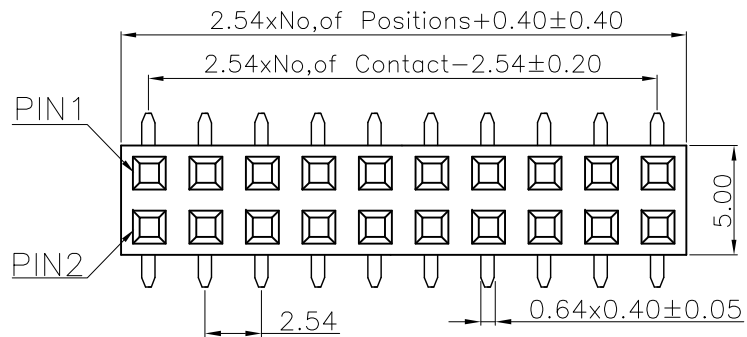


零件图	成品图	客户图
		○

REVISION DATA				
REV	ECN No.	DESCRIPTION	NAME	DATE
A0		NEW DRAWING	Songjun	2018-03-21



Recommended P.C.B Layout
General Tolerance±0.05

Technical Data

Material:
Contact Material: Copper alloy
Contact plating: Au or Sn Over Ni
Insulator Material: See the table, UL94 V-0

Electrical:
Rating current: 3Amps/contact max.
Rating voltage : 250 V AC/DC
Contact resistance: ≤20mΩ/contact
Insulation resistance: ≥1000MΩ
Withstanding Voltage: 1000V AC/minute

Mechanical:
Operating temperatures: Gold Plated: -55°C to +105°C
Tin plated: -40°C to +105°C
Soldering temperature: +260°C, 10S max (PA6T/PA9T/LCP)

F134	12	XXX	XX	S	X	X	N	X	00
Product Descriptions F134 H=8.5	Product Type 12 Dual Row	No. of Positions XXX Poles	Pin Plating G0 GOLD FLASH G1 1U" AU G6 AU10U" S1 SN+AU1U" S7 SN+AU15U" S8 SN+AU30U" T3 MATTE SN	Angle options S SMT	Insulator Material C PA6T D LCP F PA9T	Color B Black W White		Series NO. A OB=0.85 OC=7.15	

ANYCONN® 东莞市恩康电子科技有限公司
www.anyconn.com
TEL:+86(0)769 8904 9672
FAX:+86(0)769 8904 9671
E-MAIL:sales@anyconn.com
DONGGUAN ENKANG ELECTRONICS TECHNOLOGY CO.,LTD

TOLERANCE	DATE :	2018-03-21	TITLE:	2.54mm Female Header Double Row SMT			
ANGLE ±5°	DRAWN :	Songjun	PART NO: F13412XXXXXXSXXNX00				
X.XXX ±0.15	CHECKED :						
X.XX ±0.25	APPROVED :						
X.X ±0.40	PROJECTON		REV: A0	UNIT: mm	SCALE: 1:1	SIZE: A4	PAGE: 1/1
X. ±0.50							