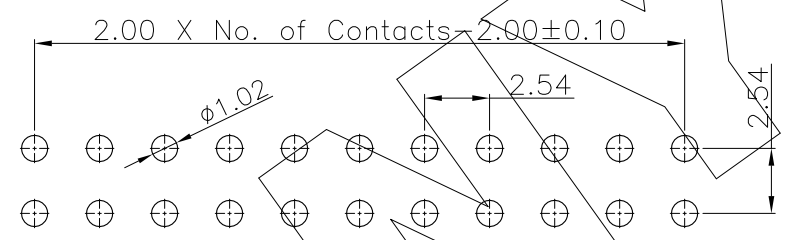
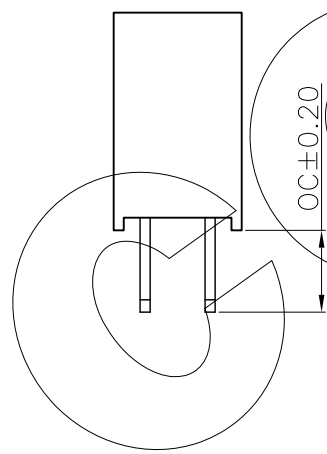
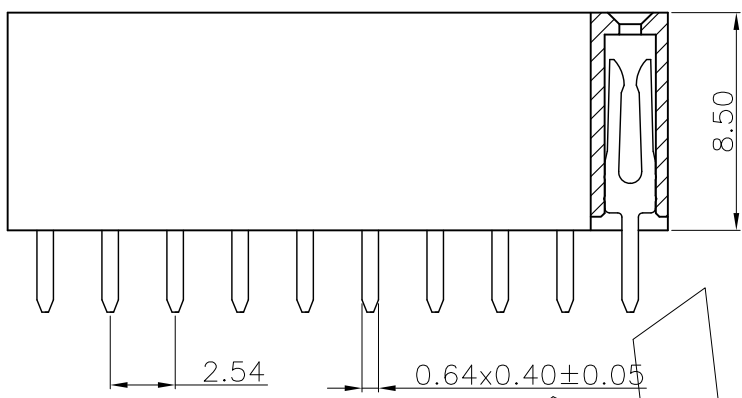
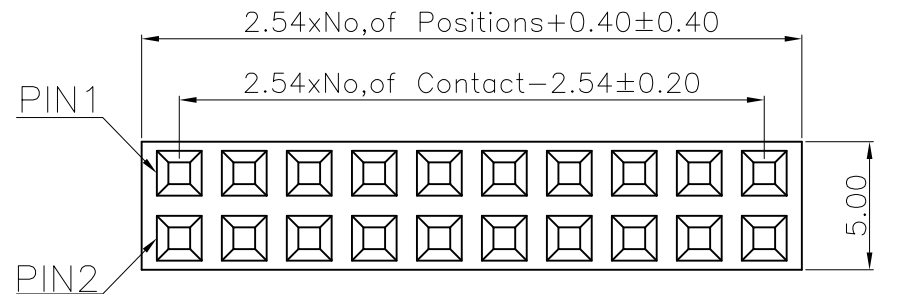


零件图	成品图	客户图
		○

REVISION DATA				
REV	ECN No.	DESCRIPTION	NAME	DATE
A0		NEW DRAWING	Songjun	2018-03-21



Recommended P.C.B Layout  
General Tolerance ±0.05

### Technical Data

Material:  
Contact Material: Copper alloy  
Contact plating: Au or Sn Over Ni  
Insulator Material: See the table, UL94 V-0

Electrical:  
Rating current: 3Amps/contact max.  
Rating voltage : 250 V AC/DC  
Contact resistance: ≤20mΩ/contact  
Insulation resistance: ≥1000MΩ  
Withstanding Voltage: 1000V AC/minute

Mechanical:  
Operating temperatures: Gold Plated: -55°C to +105°C  
Tin plated: -40°C to +105°C  
Soldering temperature: +260°C, 10S max (PA6T/PA9T/LCP)

F134	12	XXX	XX	D	X	X	N	X	00
Product Descriptions F134 H=8.5	Product Type 12 Dual Row	No. of Positions XXX Poles	Pin Plating G0 GOLD FLASH G1 1U* AU G6 AU10U* S1 SN+AU1U* S7 SN+AU15U* S8 SN+AU30U* T3 MATTE SN	Angle options D Straight	Insulator Material C PA6T D LCP F PA9T	Color B Black W White		Series NO. A OC=3.20 B OC=5.70 C OC=4.90 D OC=3.10 E OC=4.00 F OC=10.50 L OC=3.00	

**ANYCONN®** 东莞市恩康电子科技有限公司  
DONGGUAN ENKANG ELECTRONICS TECHNOLOGY CO.,LTD

TOLERANCE	DATE : 2018-03-21	TITLE: PH2.54 H8.50mm Double Row Straight Female Header
ANGLE ±5°	DRAWN : Songjun	PART NO: F13412XXXXDXNNX00
X.XXX ±0.15	CHECKED :	
X.XX ±0.25	APPROVED :	
X.X ±0.40	PROJECTON	REV: A0 UNIT: mm SCALE: 1:1 SIZE: A4 PAGE: 1/1