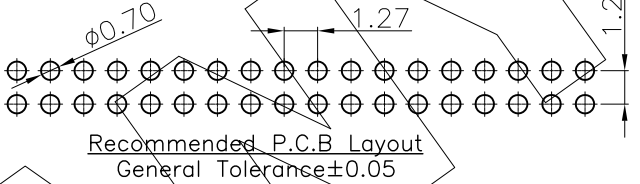
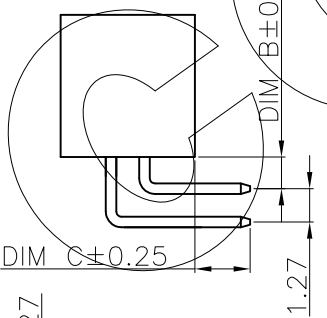
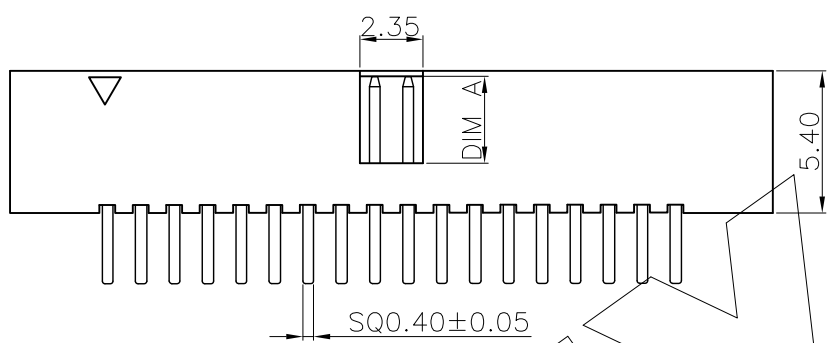
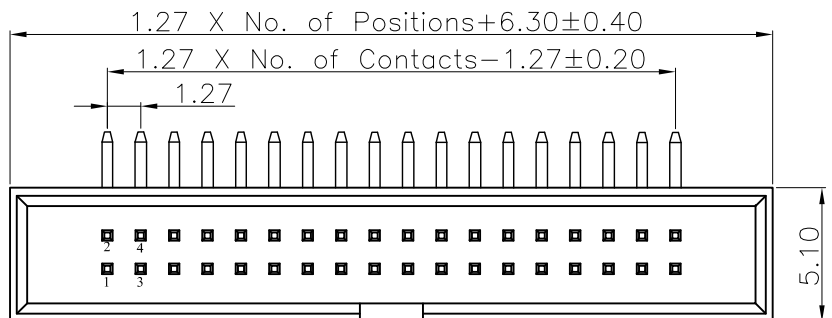


零件图	成品图	客户图
		○

REVISION DATA				
REV	ECN No.	DESCRIPTION	NAME	DATE
A0		NEW DRAWING	Songjun	2020-09-28



### Technical Data

Material:  
 Contact Material: Copper Alloy  
 Contact plating: Au or Sn Over Ni  
 Insulator Material: See the table, UL94 V-0

Electrical:  
 Rating current: 1Amps/contact max.  
 Rating voltage : 100 V AC/DC  
 Contact resistance: ≤20mΩ/contact  
 Insulation resistance: ≥1000MΩ  
 Withstanding Voltage: 500V AC/minute

Mechanical:  
 Operating temperatures: Gold Plated: -55°C to +105°C  
 Tin plated: -40°C to +105°C  
 Soldering temperature: +220°C, max(PA6T)

BHF	XXX	12	R	XX	C	X	N	RXXX
HOUSING TYPE F PH1.27 H5.4	PIN No. No. of Positions XXX Positions	PRODUCT TYPE 12 Dual Row Single Base	ANGLE OPTIONS R 90° D 180° S SMT	PIN-PLATING G0 Gold Flash G1 1u" Au G6 Au10u" S4 Sn+Au1u" S7 Sn+Au15u" S8 Sn+Au30u" T3 Matte Sn	INSULATOR MATERIAL C PA6T+30%GF	COLOR B BLACK W WHITE L BLUE G GREEN Y YELLOW R RED N NATURAL		PIN LENGTH L=XXXXmm

**ANYCONN®** 东莞市恩康电子科技有限公司  
 www.anyconn.com  
 TEL:+86(0)769 8904 9672  
 FAX:+86(0)769 8904 9671  
 E-MAIL:sales@anyconn.com

**DONGGUAN ENKANG ELECTRONICS TECHNOLOGY CO.,LTD**

TOLERANCE	DATE : 2020-09-28	TITLE:			
ANGLE ±5°	DRAWN : Songjun	PH1.27 H5.40 Double Row Straight Box Header			
X.XXX ±0.15	CHECKED :	PART NO: BHFXXX12RXXCXNRXXX			
X.XX ±0.25	APPROVED :				
X.X ±0.40	PROJECTON				
X. ±0.50	REV: A0	UNIT: mm	SCALE: 1:1	SIZE: A4	PAGE: 1/1