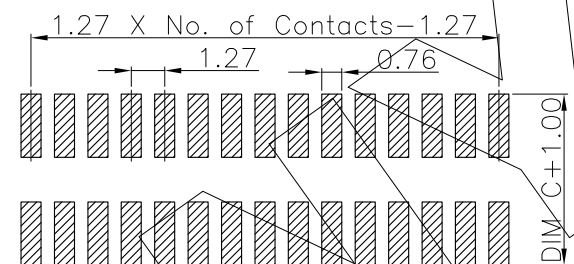
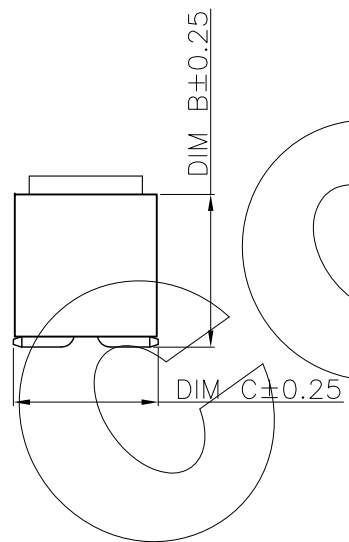
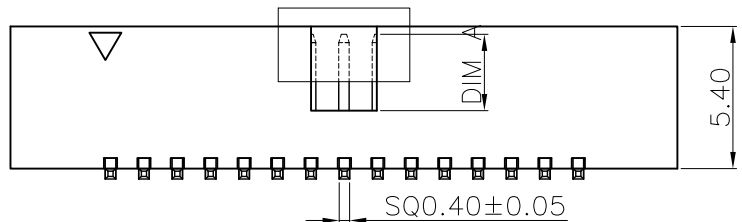
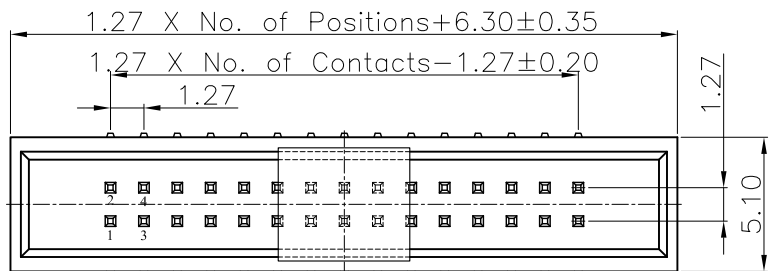


零件图	成品图	客户图
		○

REVISION DATA				
REV	ECN No.	DESCRIPTION	NAME	DATE
A0		NEW DRAWING	Songjun	2020-09-28



Recommended P.C.B Layout  
General Tolerance ±0.05

BHF	XXX	12	S	XX	C	X	N	SXXX
HOUSING TYPE F PH1.27 H5.4	PIN No. No. of Positions XXX Positions	PRODUCT TYPE 12 Dual Row Single Base	ANGLE OPTIONS R 90° D 180° S SMT	PIN-PLATING G0 Gold Flash G1 1u" Au G6 Au10u" S4 Sn+Au1u" S7 Sn+Au15u" S8 Sn+Au30u" T3 Matte Sn	INSULATOR MATERIAL C PA6T+30%GF	COLOR B BLACK W WHITE L BLUE G GREEN Y YELLOW R RED N NATURAL		PIN LENGTH L=XXXXmm

### Technical Data

Material:  
Contact Material: Copper Alloy  
Contact plating: Au or Sn Over Ni  
Insulator Material: See the table, UL94 V-0

Electrical:  
Rating current: 1Amps/contact max.  
Rating voltage : 100 V AC/DC  
Contact resistance: ≤20mΩ/contact  
Insulation resistance: ≥1000MΩ  
Withstanding Voltage: 500V AC/minute

Mechanical:  
Operating temperatures: Gold Plated: -55°C to +105°C  
Tin plated: -40°C to +105°C  
Soldering temperature: +220°C, max(PA6T)

**ANYCONN®** 东莞市恩康电子科技有限公司  
DONGGUAN ENKANG ELECTRONICS TECHNOLOGY CO.,LTD

TOLERANCE	DATE : 2020-09-28	TITLE:
ANGLE ±5°	DRAWN : Songjun	PH1.27 H5.40 Double Row Straight Box Header
X.XXX ±0.15	CHECKED :	PART NO: BHFXXX12SXXCXNSXXX
X.XX ±0.25	APPROVED :	
X.X ±0.40	PROJECTON	
X. ±0.50	REV: A0	UNIT: mm
	SCALE: 1:1	SIZE: A4
	PAGE: 1/1	