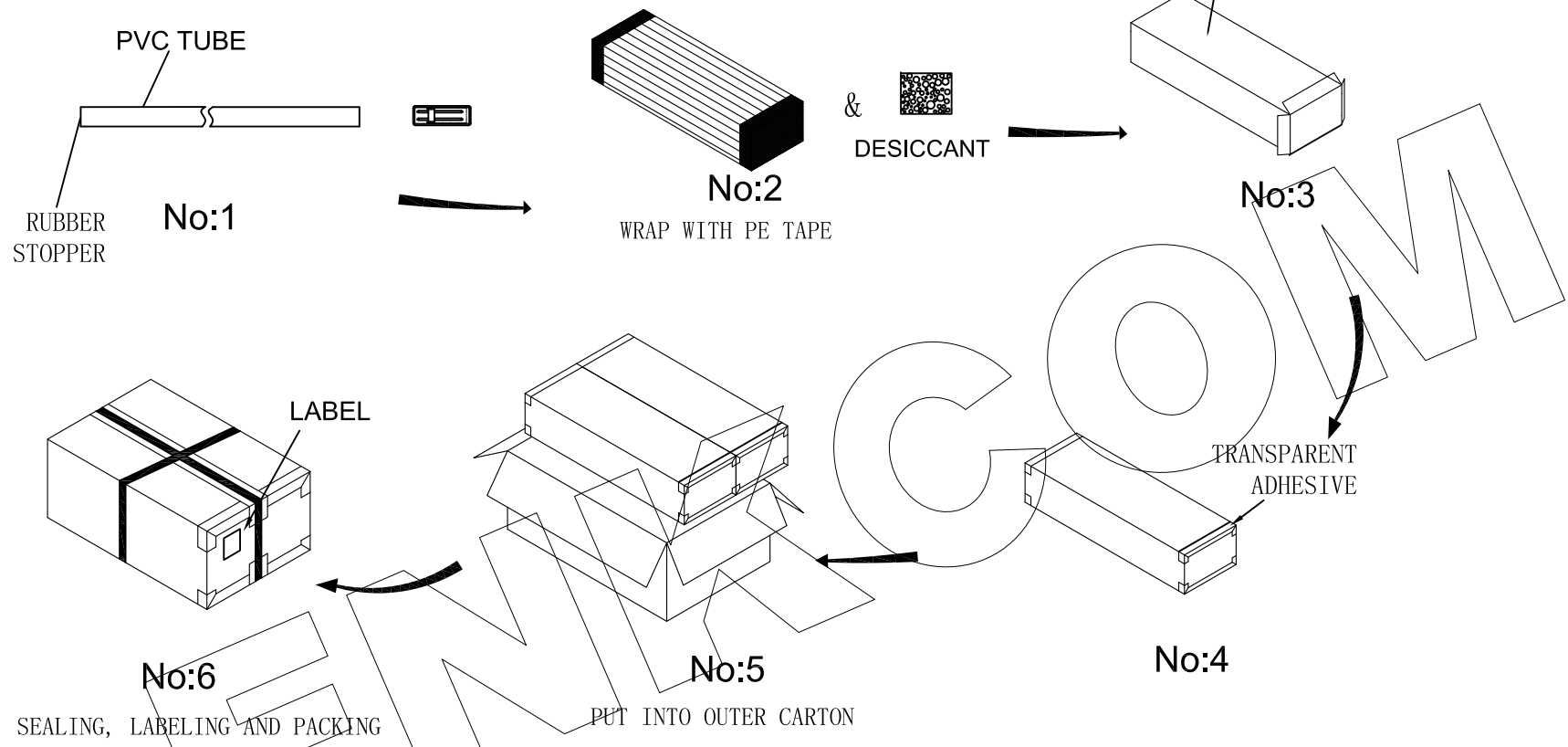


REVISION DATA		
REV	DESCRIPTION	DATE
A0	NEW DRAWING	2016-07-14



**PACKAGE DESCRIPTION:**  
 STEP 1: PUT THE TESTED PRODUCT INTO THE PVC TUBE, AND THEN GLUE THE PVC TUBE PLUG AND SEAL  
 STEP 2: WRAP THE PVC TUBE WITH PE FILM AND PUT IN DESICCANT  
 STEP 3: PUT THE WRAPPED PVC TUBE INTO THE INNER BOX.  
 STEP 4: SEAL THE INNER BOX WITH TRANSPARENT GLUE  
 STEP 5: SEAL THE SEALED INNER CASE AND OUTER BOX.  
 STEP 6: SEAL THE OUTER BOX WITH TRANSPARENT GLUE AND LABEL THE OUTER BOX. THEN BANDAGE TAKE A BANDAGE.

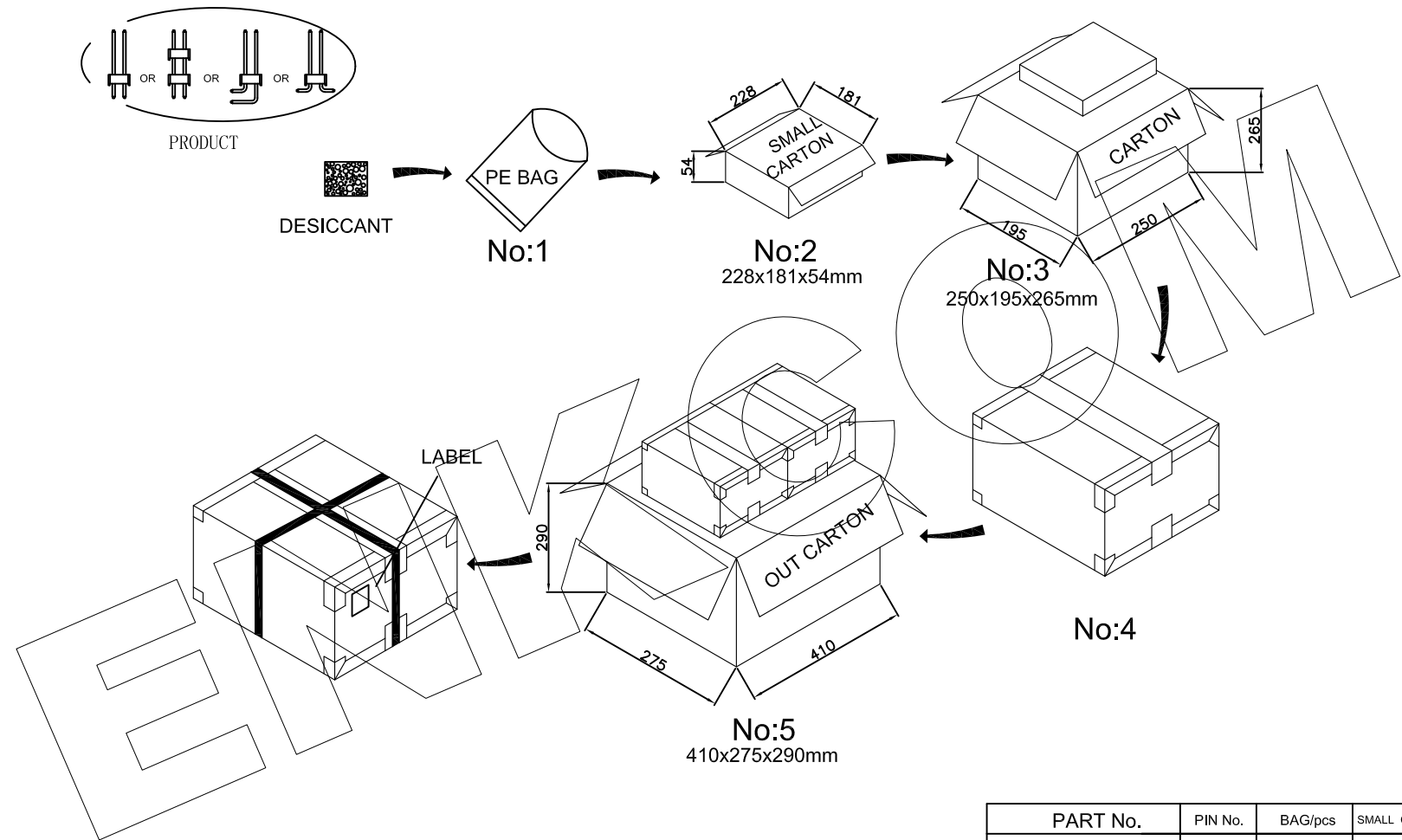
PART No.	PIPE/pcs	BOX/PIPE
P136XXXXXXXXXXXXXXXX	XX	XXX

**ENKCOM®** 东莞市恩康电子科技有限公司  
 DONGGUAN ENKANG ELECTRONICS TECHNOLOGY CO.,LTD

www.enkcom.com  
 TEL:+86(0)769 8904 9672  
 FAX:+86(0)769 8904 9671  
 E-MAIL:sales@anycom.tw

<del>TOLERANCE</del> ANGLE ±5° X.XXX ±0.10 X.XX ±0.20 X.X ±0.30 X. ±0.50	DATE :	2020-09-17	TITLE:	PH1.00 H1.50mm Pin Header-TUBE PACKING					
	DRAWN :	Songjun	CHECKED :	PART NO: P136XXXXXXXXXXXXXXXX					
	APPROVED :		PROJECTON						

REVISION DATA				
REV	ECN No.	DESCRIPTION	NAME	DATE
A0		NEW DRAWING	JIN	2020-09-19



**PACKAGE DESCRIPTION:**

- STEP 1: PUT THE INSPECTED PRODUCTS INTO PE BAG AND SEAL THE PE BAG
- STEP 2: PUT THE PE BAG INTO THE UNIVERSAL CARTON AND SEAL IT
- STEP 3: PUT THE GENERAL CARTON WITH THE PRODUCT INTO THE CARTON.
- STEP 4: SEAL THE CARTON WITH TRANSPARENT GLUE
- STEP 5: SEAL THE SEALED MIDDLE CASE AND OUTER CASE.
- STEP 6: SEAL THE OUTER BOX WITH TRANSPARENT GLUE AND LABEL THE OUTER CARTON. THEN BANDAGE TAKE A BANDAGE.

PART No.	PIN No.	BAG/pcs	SMALL CARTON /PCS	CARTON /PCS	OUT CARTON /PCS
P136XXXXXXXXXXXXXX	XXXP	XXX	XXXX	XXXX	XXXX

**ENKCOM®** 东莞市恩康电子科技有限公司  
 www.enkcom.com  
 TEL:+86(0)769 8904 9672  
 FAX:+86(0)769 8904 9671  
 E-MAIL:sales@anycom.tw

**DONGGUAN ENKANG ELECTRONICS TECHNOLOGY CO.,LTD**

TOLERANCE ANGLE ±5° X.XXX ±0.15 X.XX ±0.25 X.X ±0.40 X. ±0.50	DATE :	2020-09-19	TITLE:	PH1.00 H1.50mm Pin Header-Bag Packing		
	DRAWN :	JIN	PART NO: P136XXXXXXXXXXXXXX			
	CHECKED :					
APPROVED :		REV: A0	UNIT: mm	SCALE: 1:1	SIZE: A4	PAGE 1/1
PROJECTON						