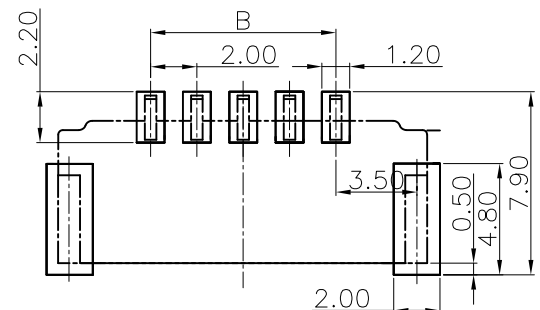
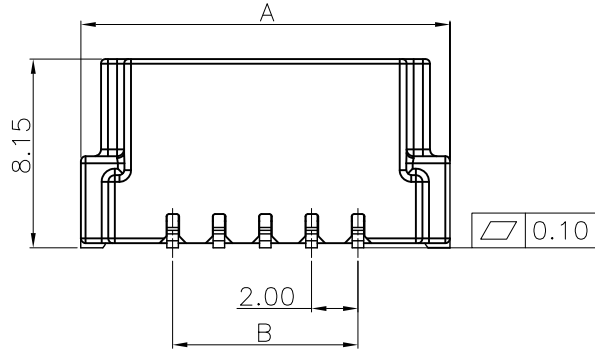
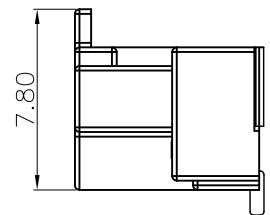
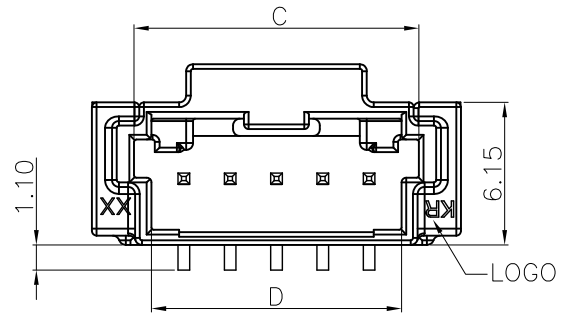


零件图	成品图	客户图
		○

REVISION DATA				
REV	ECN No.	DESCRIPTION	NAME	DATE
A0		NEW DRAWING	D.Y.Y	2023-04-07



Recommended P.C.B Layout  
General Tolerance±0.05

WF	B	S	11	XXX	XX	X	X	N	S013
Pitch(mm) A 2.5 B 2.0 C 1.25 D 3.96 E 2.54 F 3.0 G 1.0	Angel Options R 90° D 180° S SMT H 卧式SMT	Product Type 11 Single row	No. of Positions XXX Poles	Pin Plating G0 Gold Flash SN Tin Plated T3 雾锡	Colour B Black W White N Natural	Insulator Material B PA66 D LCP F PA9T	W With peg N NO Peg L with lock T Fixed Tabs	Series NO.	

### Technical Data

Current rating:3A AC/DC.  
Voltage rating:125V AC/DC  
Temperature range:-40°C~+125°C.  
Contact resistance:20mΩ Max.  
Insulation resistance:1000MΩ Min.  
Withstanding voltage: 500V AC/minute.  
Material:  
Housing:PA9T, UL94V-0  
Pin:Brass,Gold or Tin Plated

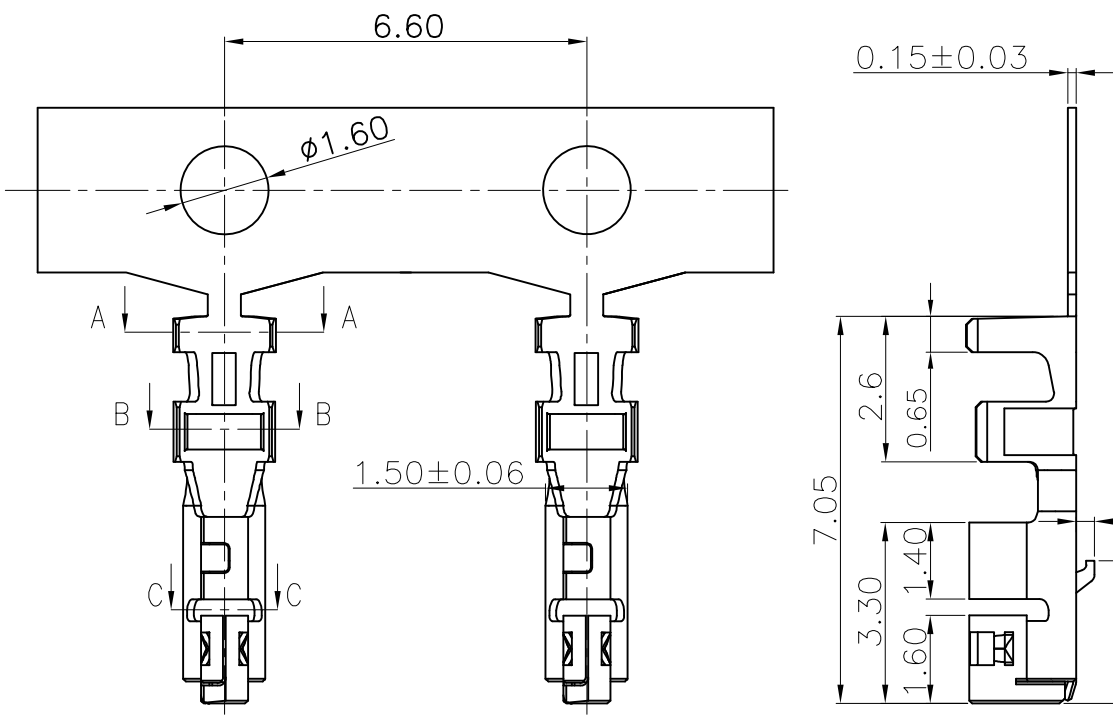
14	33.90	26.00	30.30	28.80
12	29.90	22.00	26.30	24.80
11	27.90	20.00	24.30	22.80
10	25.90	18.00	22.30	20.80
9	23.90	16.00	20.30	18.80
8	21.90	14.00	18.30	16.80
7	19.90	12.00	16.30	14.80
6	17.90	10.00	14.30	12.80
5	15.90	8.00	12.30	10.80
4	13.90	6.00	10.30	8.80
3	11.90	4.00	8.30	6.80
2	9.90	2.00	6.30	4.80
Poles	A	B	C	D

**ANYCONN®** 东莞市恩康电子科技有限公司  
www.enkcom.com  
TEL:+86(0)769 8904 9672  
FAX:+86(0)769 8904 9671  
E-MAIL:sales@anycom.tw  
**DONGGUAN ENKANG ELECTRONICS TECHNOLOGY CO.,LTD**

TOLERANCE	DATE : 2023-04-07	TITLE:
ANGLE ±5°	DRAWN : D.Y.Y	PH2.00 Wafer Single Row SMT Type
X.XXX ±0.15	CHECKED :	PART NO: WFBS11XXXXXXXXXS013
X.XX ±0.25	APPROVED :	
X.X ±0.38	PROJECTION	
X. ±0.50		REV: A0 UNIT: mm SCALE: 1:1 SIZE: A4 PAGE 1/1

零件图	成品图	客户图
		○

REVISION DATA				
REV	ECN No.	DESCRIPTION	NAME	DATE
A0		NEW DRAWING	D.Y.Y	2023-04-07

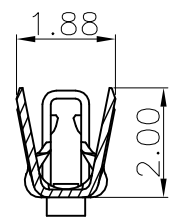


### Technical Data

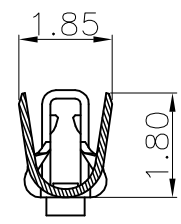
- 1.Current rating:3A AC/DC.
- 2.Voltage rating: 125V AC/DC
- 3.Temperature range: -40°C~+125°C
- 4.Insulation resistance: 1000MΩ Min.
- 5.Withstanding voltage: 500V AC/ minute
- 6.Contact resistance: 20m Ω Max.
- 7.Applicable Wires: AWG#22~#24  
Insulation O.D.:1.40mm MAX
- 8.Material: Phosphor Bronze
- 9.Finish: Gold or Tin plated over Nickel
- 10.Q'ty/Reel: 10,000 PCS/Reel
- 11.Mating Housing:VHSB11XXXAXLR21

Part No: VHSB XX P 0705A

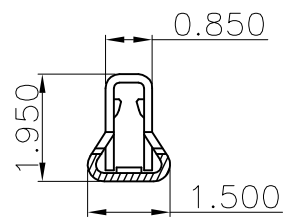
- Pin Plating
- G0 Gold Flash
- G1 Gold 1u"
- SN Tin Plated



SECTION A-A



SECTION B-B



SECTION C-C



**ANYCONN®** 东莞市恩康电子科技有限公司  
 www.enkcom.com  
 TEL:+86(0)769 8904 9672  
 FAX:+86(0)769 8904 9671  
 E-MAIL:sales@anycom.tw

**DONGGUAN ENKANG ELECTRONICS TECHNOLOGY CO.,LTD**

TOLERANCE	DATE :	2023-04-07	TITLE:				
ANGLE ±5°	DRAWN :	D.Y.Y	PH2.0 Terminal				
X.XXX ±0.10	CHECKED :		PART NO: VHSBXXP0705A				
X.XX ±0.20	APPROVED :						
X.X ±0.30	PROJECTION		REV: A0	UNIT: mm	SCALE: 1:1	SIZE: A4	PAGE 1/1
X. ±0.50							