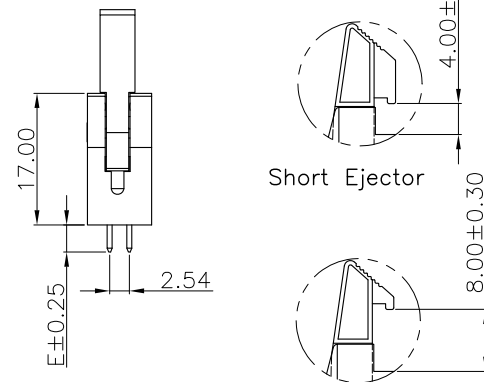
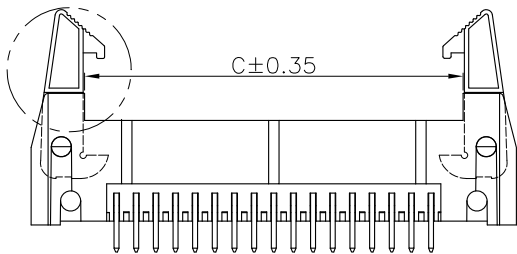


零件图	成品图	客户图
		○

REVISION DATA				
REV	ECN No.	DESCRIPTION	NAME	DATE
A0		NEW DRAWING	Songjun	2020-09-28

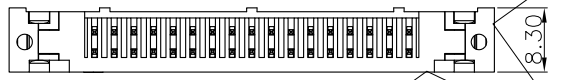
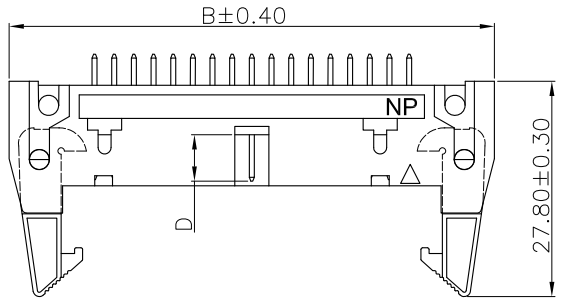
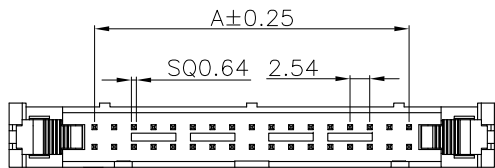


Technical Data

Material:
 Contact Material: Copper Alloy
 Contact plating: Au or Sn Over Ni
 Insulator Material: See the table, UL94 V-0

Electrical:
 Rating current: 1.5Amps/contact max.
 Rating voltage : 100 V AC/DC
 Contact resistance: ≤20mΩ/contact
 Insulation resistance: ≥800MΩ
 Withstanding Voltage: 400V AC/minute

Mechanical:
 Operating temperatures: Gold Plated: -55°C to +105°C
 Tin plated: -40°C to +105°C
 Soldering temperature: +260°C, max(PA9T)



No. of Contacts	DIMENSIONS		
	A	B	C
6	5.08	26.92	13.08
8	7.62	29.36	15.62
10	10.16	32.00	18.16
14	15.24	37.08	23.24
16	17.78	39.62	25.78
20	22.86	44.70	30.86
26	30.48	52.32	38.48
30	35.56	57.40	43.56
34	40.64	62.48	48.64
40	48.26	70.10	56.26
50	60.96	82.80	68.96
60	73.66	95.50	81.66
64	78.74	100.60	86.74

Recommended P.C.B Layout
 General Tolerance ±0.05

BHB	XXX	12	D	XX	F	X	N	DXXX
HOUSING TYPE A PH2.54 H17.0	PIN No. No. of Positions XXX Positions	PRODUCT TYPE 12 Dual Row Single Base	ANGLE OPTIONS R 90° D 180° S SMT	PIN PLATING G0 Gold Flash G1 1u" Au G6 Au10u" S1 Sn+Au1u" S7 Sn+Au15u" S8 Sn+Au30u" T3 Matte Sn	INSULATOR MATERIAL F PA9T+30%GF	COLOR B BLACK W WHITE L BLUE G GREEN Y YELLOW R RED N NATURAL		PIN LENGTH L=XXXXmm

ANYCONN® 东莞市恩康电子科技有限公司
 www.anyconn.com
 TEL:+86(0)769 8904 9672
 FAX:+86(0)769 8904 9671
 E-MAIL:sales@anyconn.com
DONGGUAN ENKANG ELECTRONICS TECHNOLOGY CO.,LTD

TOLERANCE	DATE : 2020-09-28	TITLE:
ANGLE ±5°	DRAWN : Songjun	PH2.54 Double Row Straight Ejector Header
X.XXX ±0.15	CHECKED :	PART NO: BHBXXX12DXXFXNDXXX
X.XX ±0.25	APPROVED :	
X.X ±0.40	PROJECTON	
X. ±0.50	REV: A0	UNIT: mm
	SCALE: 1:1	SIZE: A4
	PAGE: 1/1	