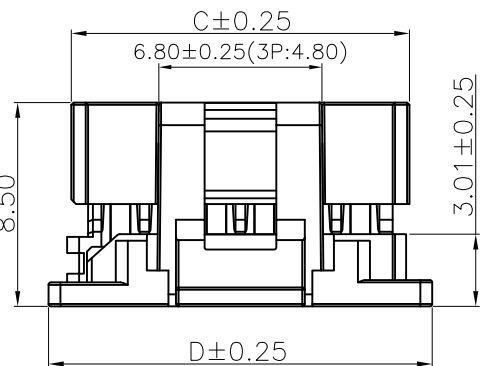
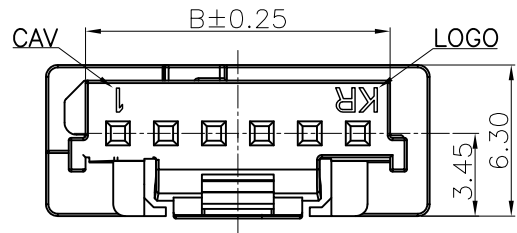
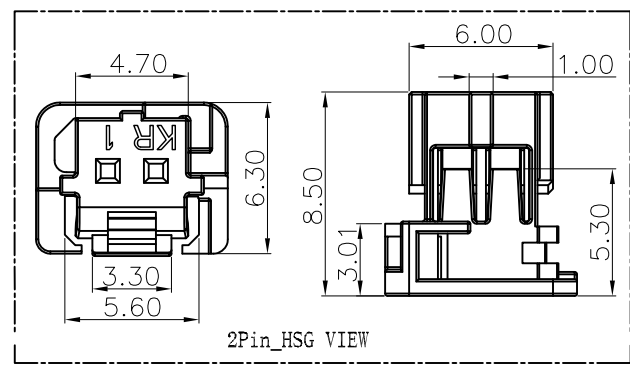
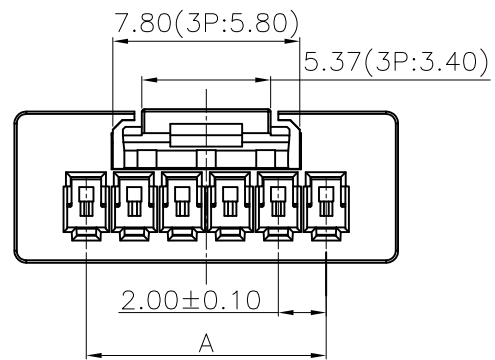
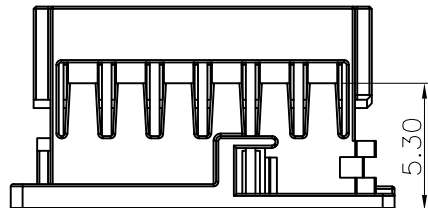
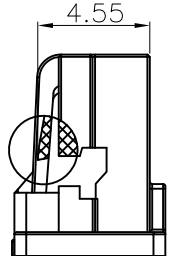


零件图	成品图	客户图
		○

REVISION DATA				
REV	ECN No.	DESCRIPTION	NAME	DATE
A0		NEW DRAWING	D.Y.Y	2023-04-07



Measure the position of the steps



Technical Data

Current rating:3A AC/DC.
Voltage rating:125V AC/DC
Temperature range:-40°C~+105°C.
Contact resistance:20MΩ Max.
Insulation resistance:1000MΩ Min.
Withstanding voltage: 500V AC/minute.
Material:PBT,UL94V-0.
Mating Terminal:VHSBXXP0705A

14	26.00	28.70	30.10	32.00
13	24.00	26.70	28.10	30.00
12	22.00	24.70	26.10	28.00
11	20.00	22.70	24.10	26.00
10	18.00	20.70	22.10	24.00
9	16.00	18.70	20.10	22.00
8	14.00	16.70	18.10	20.00
7	12.00	14.70	16.10	18.00
6	10.00	12.70	14.10	16.00
5	8.00	10.70	12.10	14.00
4	6.00	8.70	10.10	12.00
3	4.00	6.70	8.10	10.00
2		4.70	6.10	8.00
Poles	A	B	C	D

VHS	B	11	XXX	A	X	N	R	21
B PH 2.0	Pin位数 Product Type 11 Single row 12 Double row	Pin位数 No. of Positions XXX Positions	材质 A PBT B PA-66 D LCP	颜色 B Black W White N Natural	特征流水码 N 常规 W 带柱 O 外柱 L 带卡钩 C 带翅膀	R ROHS L 无卤	Series No.	

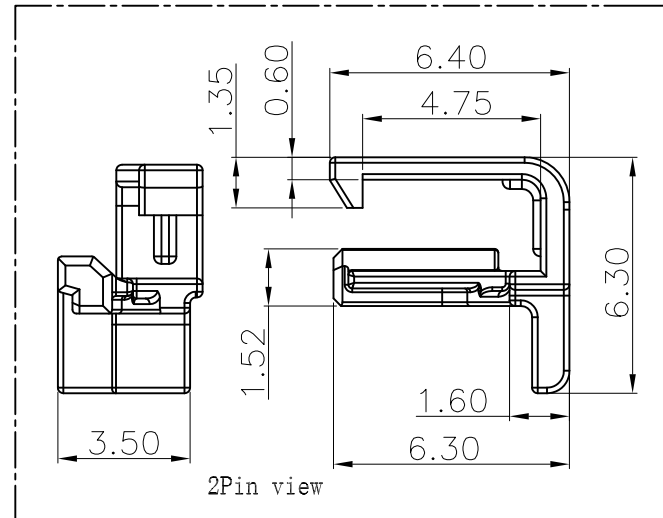
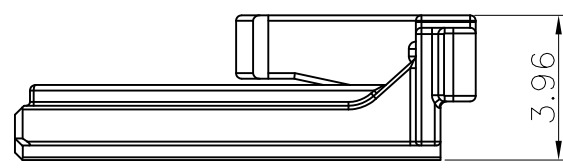
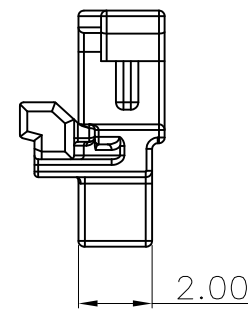
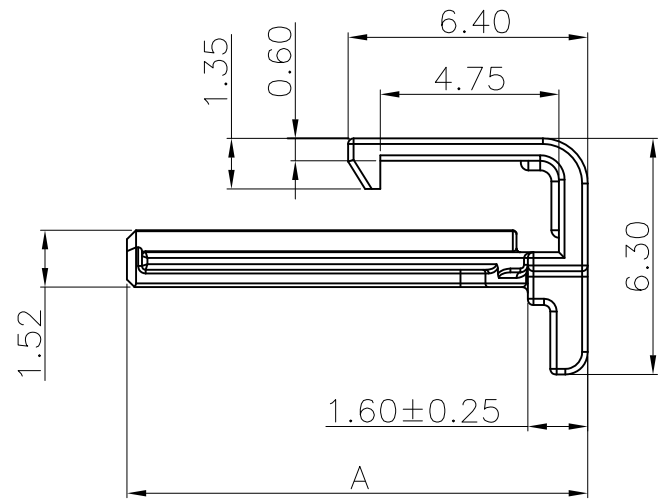
ANYCONN® 东莞市恩康电子科技有限公司
DONGGUAN ENKANG ELECTRONICS TECHNOLOGY CO.,LTD

www.anyconn.com
TEL:+86(0)769 8904 9672
FAX:+86(0)769 8904 9671
E-MAIL:sales@anyconn.com

TOLERANCE	DATE : 2023-04-07	TITLE:
ANGLE ±5°	DRAWN : D.Y.Y	Pitch2.00 H8.50 Housing
X.XXX ±0.10	CHECKED :	PART NO: VHSB11XXXAXNR21
X.XX ±0.20	APPROVED :	
X.X ±0.30	PROJECTON	REV: A0
X. ±0.50		UNIT: mm
		SCALE: 1:1
		SIZE: A4
		PAGE: 1/1

零件图	成品图	客户图
		○

REVISION DATA				
REV	ECN No.	DESCRIPTION	NAME	DATE
A0		NEW DRAWING	D.Y.Y	2023-04-07



Technical Data

Current rating:3A AC/DC.
Voltage rating:125V AC/DC
Temperature range:-40°C~+105°C.
Contact resistance:20MΩ Max.
Insulation resistance:1000MΩ Min.
Withstanding voltage: 500V AC/minute.
Material:PBT,UL94V-0.

14	30.30
13	28.30
12	26.30
11	24.30
10	22.30
9	20.30
8	18.30
7	16.30
6	14.30
5	12.30
4	10.30
3	8.30
2	6.30
Poles	A

IB	B	11	XXX	A	X	R	01
B PH 2.0	Pin位数 Product Type 11 Single row 12 Double row	Pin位数 No. of Positions XXX Positions	材质 A PBT B PA-66 D LCP	颜色 B Black W White N Natural	R ROHS L 无卤	Series No.	

ANYCONN® 东莞市恩康电子科技有限公司
DONGGUAN ENKANG ELECTRONICS TECHNOLOGY CO.,LTD

TOLERANCE	DATE : 2023-04-07	TITLE: Pitch2.00 Inner buckle Housing
ANGLE ±5°	DRAWN : D.Y.Y	PART NO: IBB11XXXAXR01
X.XXX ±0.15	CHECKED :	
X.XX ±0.25	APPROVED :	
X.X ±0.30	PROJECTON	REV: A0
X. ±0.50		UNIT: mm
		SCALE: 1:1
		SIZE: A4
		PAGE: 1/1