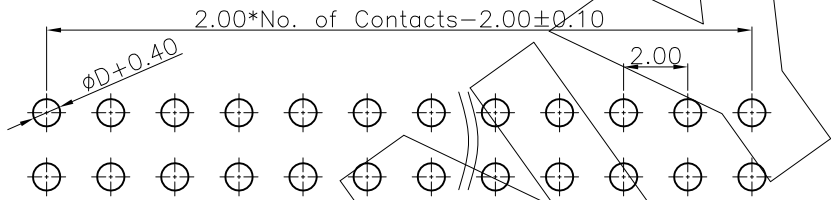
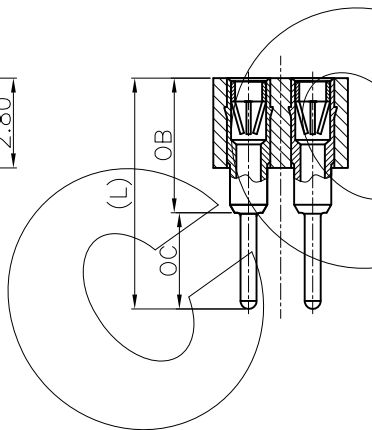
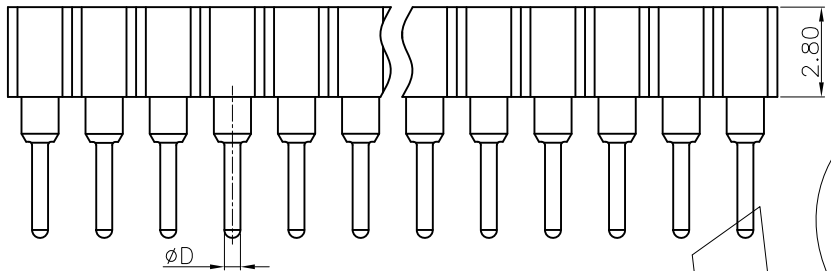
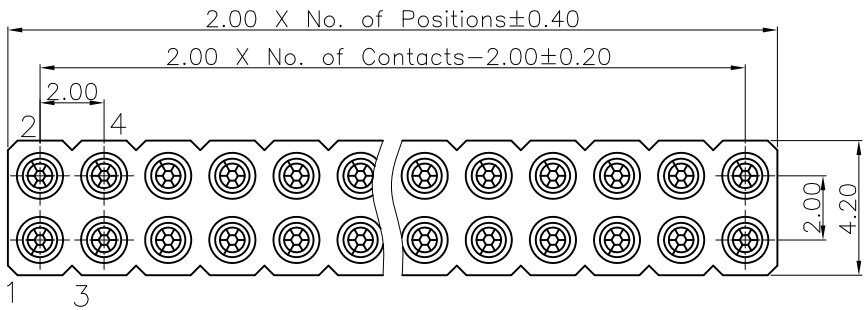


REVISION DATA				
REV	ECN No.	DESCRIPTION	NAME	DATE
A0		NEW DRAWING	Songjun	2020-10-17



Recommended PCB Layout
General Tolerance ±0.05

Technical Data

Material:
Contact Material: Copper Alloy
Contact plating: Au or Sn Over Ni
Insulator Material: PPS, UL94 V-0

Electrical:
Rating current: 2Amps/contact max.
Rating voltage : 60 V AC/DC
Contact resistance: ≤ 4mΩ/contact
Insulation resistance: ≥ 1000MΩ
Withstanding Voltage: 500V AC/minute

Mechanical:
Operating temperatures: Gold Plated: -55°C to +105°C
Tin plated: -40°C to +105°C
Soldering temperature: +260°C, max(PPS)

	D	OB	OC	L
DIM.	0.45	5.00	3.20	8.20
	0.55	5.60	2.50	8.10
	0.66	6.00	3.00	9.00

Dim D&OB&OC&L can be customized by customers

PD	D	XXX	A	6	F	X	XX	XXXXX	0	00
Angel Options D 180° R 90° S SMT H H-SMT	No. of Positions XXX Positions	Dip Spacing 0 No 1 1.27mm 2 2.54mm 3 2.00mm 4 2.10mm 5 2.00mm 6 10.16mm 7 3.00mm 8 3.80mm 9 4.10mm A 4.20mm A 2.00mm S Special	Insulator Height 0 No 1 1.20mm 2 1.90mm 3 2.80mm 4 2.10mm 5 2.80mm 6 3.80mm 7 3.00mm 8 3.80mm 9 4.10mm A 4.20mm B 7.00mm S Special	Insulator type E PPS Single Row F PPS Two Row	Pin Plated 0 No 1 Tin120u" 2 Tin200u" 3 Gold15u" 4 Gold30u" 5 Gold1u" 6 Gold15u" 7 Gold2u" 8 Gold3u" 9 Gold5u" A Gold8u" B Gold10u" C Gold15u" D Gold30u" E Ag plated F Nickel 80u"	Clp plated 1 Tin120u" 2 Tin200u" 3 Gold15u" 4 Gold30u" 5 Gold1u" 6 Gold15u" 7 Gold2u" 8 Gold3u" 9 Gold5u" A Gold8u" B Gold10u" C Gold15u" D Gold30u" E Ag plated F Nickel 80u"	Pin length(mm) XXXXX XX.Xmm S Special	Insulator Option 0 No	Series 00 No	

ANYCONN® 东莞市恩康电子科技有限公司
 www.anyconn.com
 TEL:+86(0)769 8904 9672
 FAX:+86(0)769 8904 9671
 E-MAIL:sales@anyconn.com

DONGGUAN ENKANG ELECTRONICS TECHNOLOGY CO.,LTD

TOLERANCE	DATE :	2020-10-17	TITLE:	PH2.00 IC Sockets Female Dual Row 180° DIP			
ANGLE ±5°	DRAWN :	Songjun	PART NO: PDDXXXA6FXXXXXXXXX000				
X.XXX ±0.15	CHECKED :						
X.XX ±0.25	APPROVED :						
X.X ±0.40	PROJECTON		REV: A0	UNIT: mm	SCALE: 1:1	SIZE: A4	PAGE: 1/1