

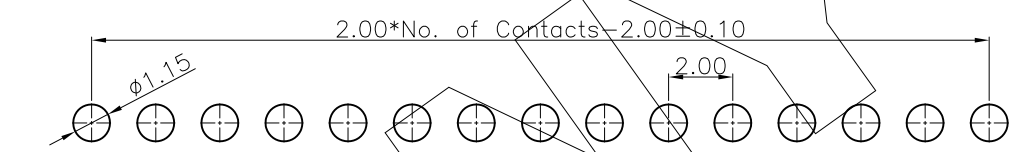
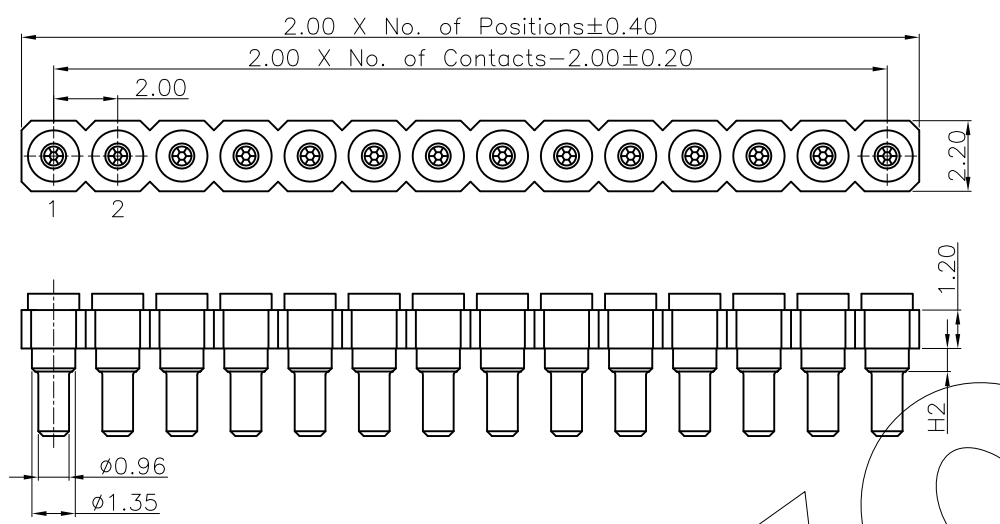
REVISION DATA				
REV	ECN No.	DESCRIPTION	NAME	DATE
A0		NEW DRAWING	Songjun	2020-10-17

Technical Data

Material:
 Contact Material: Copper Alloy
 Contact plating: Au or Sn Over Ni
 Insulator Material: PPS, UL94 V-0

Electrical:
 Rating current: 2Amps/contact max.
 Rating voltage : 60 V AC/DC
 Contact resistance: $\leq 4m\Omega$ /contact
 Insulation resistance: $\geq 1000M\Omega$
 Withstanding Voltage: 500V AC/minute

Mechanical:
 Operating temperatures: Gold Plated: $-55^{\circ}C$ to $+105^{\circ}C$
 Tin plated: $-40^{\circ}C$ to $+105^{\circ}C$
 Soldering temperature: $+260^{\circ}C$, max(PPS)



	H1	H2	H
DIM.	0.51	0.72	4.44
	0.85	1.00	5.05
	1.00	1.25	5.45

Dim H1&H2&H can be customized by customers

Recommended P.C.B Layout
 General Tolerance ± 0.05

PD	D	XXX	0	1	E	X	XX	XXXXX	0	00
Angel Options D 180° R 90° S SMT H H-SMT	No. of Positions XXX Positions	Dijs Spacing 0 No 1 1.27mm 2 2.54mm 3 7.62mm 4 10.16mm 6 15.24mm 9 22.86mm A 2.00mm S Special	Insulator Height 0 No 1 1.20 mm 2 1.90 mm 3 2.00 mm 4 2.10 mm 5 2.20 mm 7 2.80 mm 8 3.00 mm 9 3.80 mm A 4.10 mm B 4.20 mm 7.00 mm S Special	Insulator type E PPS Single Row F PPS Two Row	Pin Plated 0 No 1 Tin120u" 2 Tin200u" 3 Gold15u" 4 Gold30u" 5 Gold1u" 6 Gold15u" 7 Gold2u" 8 Gold3u" 9 Gold5u" A Gold8u" B Gold10u" C Gold15u" D Gold30u" E Ag plated F Nickel 80u"	Clp plated 1 Tin120u" 2 Tin200u" 3 Gold15u" 4 Gold30u" 5 Gold1u" 6 Gold15u" 7 Gold2u" 8 Gold3u" 9 Gold5u" A Gold8u" B Gold10u" C Gold15u" D Gold30u" E Ag plated F Nickel 80u"	Pin length(mm) XXXXX XX.Xmm S Special	Insulator Option 0 No	Series 00 No	

ANYCONN® 东莞市恩康电子科技有限公司
 www.anyconn.com
 TEL:+86(0)769 8904 9672
 FAX:+86(0)769 8904 9671
 E-MAIL:sales@anyconn.com

DONGGUAN ENKANG ELECTRONICS TECHNOLOGY CO.,LTD

TOLERANCE	DATE :	2020-10-17	TITLE:	PH2.00 IC Sockets Female Single Row 180° DIP			
ANGLE $\pm 5^{\circ}$	DRAWN :	Songjun	PART NO: PDDXXX01EXXXXXXXX000				
X.XXX ± 0.15	CHECKED :						
X.XX ± 0.25	APPROVED :						
X.X ± 0.40	PROJECTON		REV: A0	UNIT: mm	SCALE: 1:1	SIZE: A4	PAGE: 1/1
X. ± 0.50							