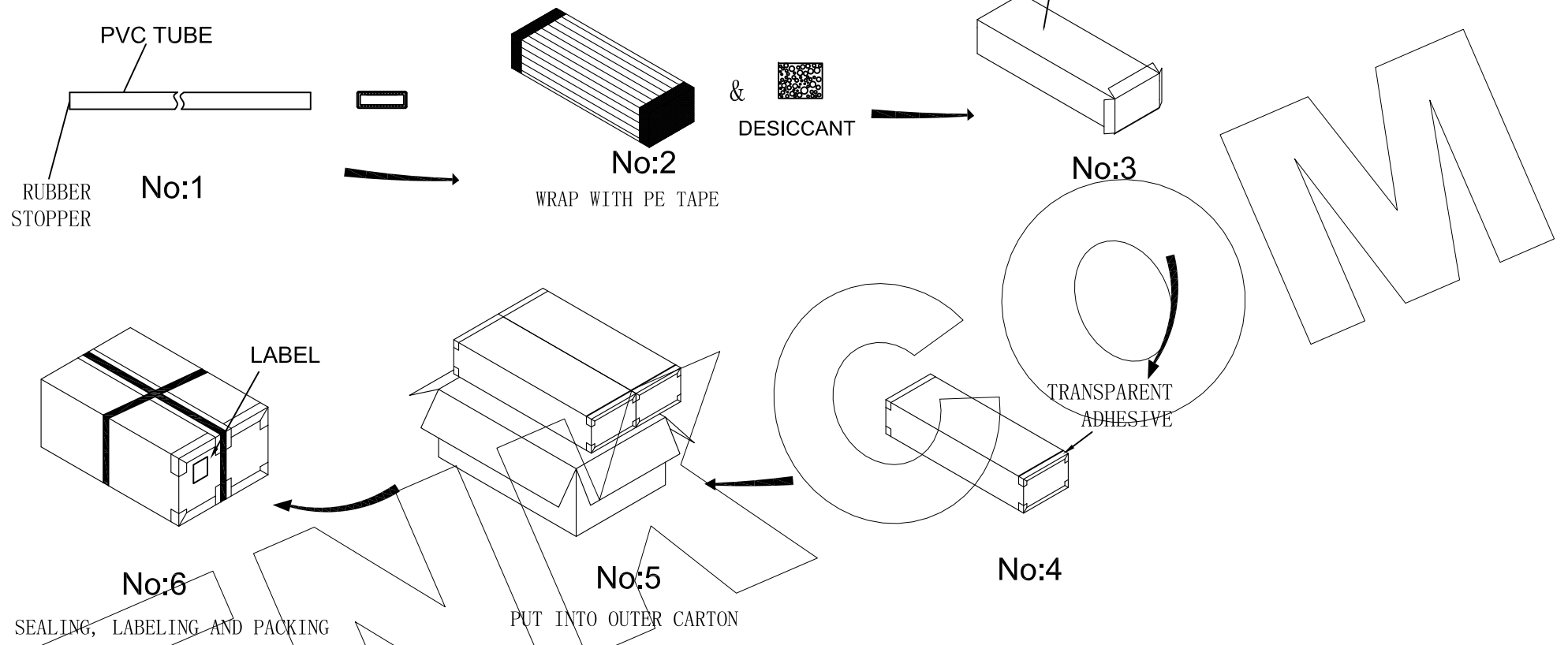


REVISION DATA		
REV	DESCRIPTION	DATE
A0	NEW DRAWING	2020-09-26



**PACKAGE DESCRIPTION:**  
 STEP 1: PUT THE TESTED PRODUCT INTO THE PVC TUBE, AND THEN GLUE THE PVC TUBE PLUG AND SEAL  
 STEP 2: WRAP THE PVC TUBE WITH PE FILM AND PUT IN DESICCANT  
 STEP 3: PUT THE WRAPPED PVC TUBE INTO THE INNER BOX.  
 STEP 4: SEAL THE INNER BOX WITH TRANSPARENT GLUE  
 STEP 5: SEAL THE SEALED INNER CASE AND OUTER BOX.  
 STEP 6: SEAL THE OUTER BOX WITH TRANSPARENT GLUE AND LABEL THE OUTER BOX. THEN BANDAGE TAKE A BANDAGE.

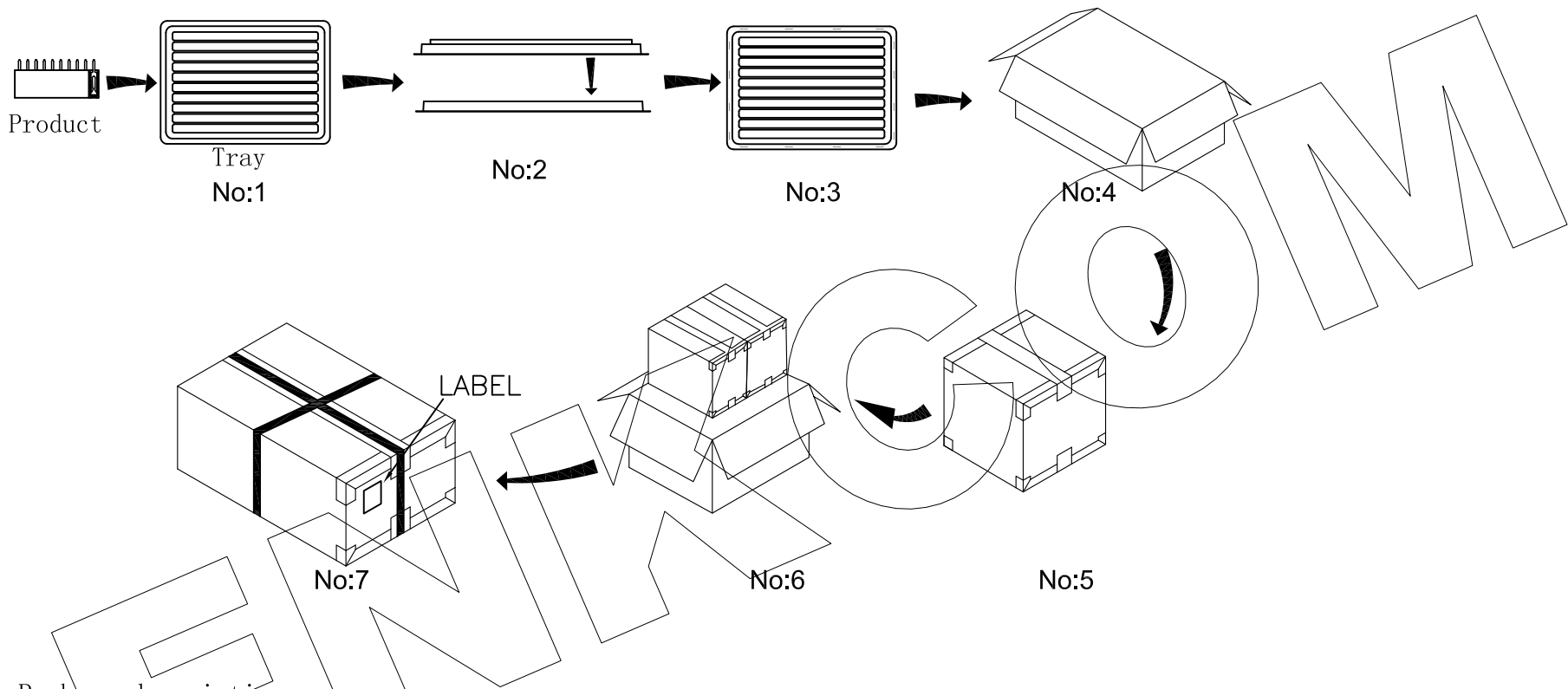
PART No.	PIPE/pcs	BOX/PIPE
F134XXXXXXXXXXXXXXXX	XX	XXX

**ENKCOM®** 东莞市恩康电子科技有限公司  
 DONGGUAN ENKANG ELECTRONICS TECHNOLOGY CO.,LTD

www.enkcom.com  
 TEL:+86(0)769 8904 9672  
 FAX:+86(0)769 8904 9671  
 E-MAIL:sales@anycom.tv

<del>TOLERANCE</del> ANGLE ±5° X.XXX ±0.10 X.XX ±0.20 X.X ±0.30 X. ±0.50	DATE :	2020-09-26	TITLE:	PH2.54 H8.50mm Female Header- Tube Packing					
	DRAWN :	Songjun	CHECKED :	PART NO: F134XXXXXXXXXXXXXXXX					
	APPROVED :		PROJECTON						REV: A0

REVISION DATA		
REV	DESCRIPTION	DATE
A0	NEW DRAWING	2020-09-26



Package description:

- Step 1: put the inspected product dip foot upward into the vacuum disk
- Step 2: cover the vacuum disk with the upper cover
- Step 3: seal the vacuum disk with stapler.
- Step 4: put the vacuum disk with the product in the middle box
- Step 5: seal the middle box with transparent glue
- Step 6: seal the sealed middle case cover and outer box. Step 7: seal the outer box with transparent glue and label the outer box. Then bandage
- Take a bandage.

PART No.	Tray/pcs	Box/Tray
F134XXXXXXXXXXXXXX	XX	XXX

**ENKCOM®** 东莞市恩康电子科技有限公司  
DONGGUAN ENKANG ELECTRONICS TECHNOLOGY CO.,LTD

www.enkcom.com  
TEL:+86(0)769 8904 9672  
FAX:+86(0)769 8904 9671  
E-MAIL:sales@anycom.tw

TOLERANCE ANGLE ±5° X.XXX ±0.10 X.XX ±0.20 X.X ±0.30 X. ±0.50	DATE :	2020-09-26	TITLE:	PH2.54 H8.50mm Female Header- Tray Packing			
	DRAWN :	Songjun	CHECKED :	PART NO: F134XXXXXXXXXXXXXX			
	APPROVED :		PROJECTON				
	UNIT:	mm	SCALE:	1:1	SIZE:	A4	PAGE: