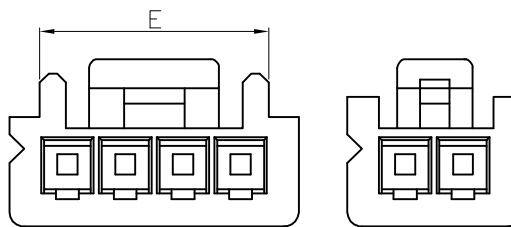
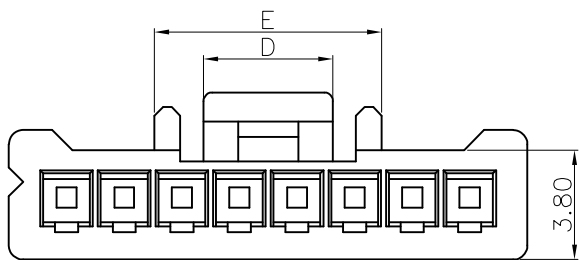
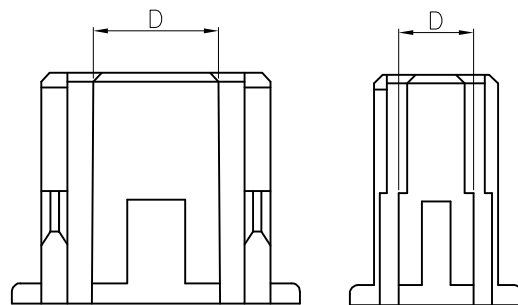
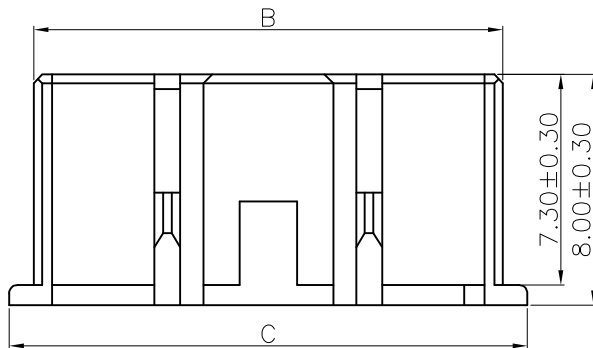
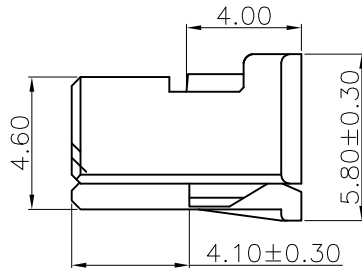
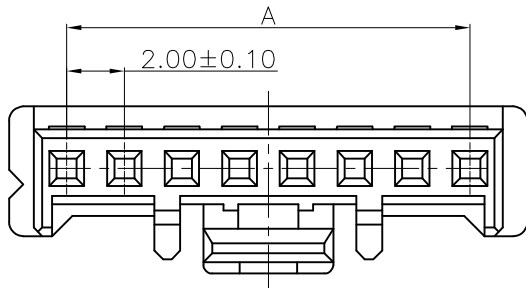


零件图	成品图	客户图
		○

REVISION DATA				
REV	ECN No.	DESCRIPTION	NAME	DATE
A0		NEW DRAWING	D.Y.Y	2023-04-06



Technical Data

Current rating:3A AC/DC.
Voltage rating:250V AC/DC
Temperature range:-40°C~+105°C.
Contact resistance:20MΩ Max.
Insulation resistance:1000MΩ Min.
Withstanding voltage: 800V AC/minute.
Material:PA66,UL94V-0.
Mating Terminal:VHSBXXP0660A

Poles	Dimensions				
	A	B	C	D	E
2P	2.00	4.3	6.0	2.6	/
3P	4.00	6.3	8.0	3.8	6.4
4P	6.00	8.3	10.0	4.5	8.4
5P	8.00	10.3	12.0	4.5	7.9
6P	10.00	12.3	14.0	4.5	7.9
7P	12.00	14.3	16.0	4.5	7.9
8P	14.00	16.3	18.0	4.5	7.9
9P	16.00	18.3	20.0	4.5	7.9
10P	18.00	20.3	22.0	11.0	14.5
11P	20.00	22.3	24.0	11.0	14.5
12P	22.00	24.3	26.0	11.0	14.5
13P	24.00	26.3	28.0	11.0	14.5
14P	26.00	28.3	30.0	11.0	14.5
15P	28.00	30.3	32.0	11.0	14.5

VHS	B	11	XXX	B	X	L	R	20
B PH 2.0		Pin位数 Product Type 11 Single row 12 Double row	Pin位数 No. of Positions XXX Positions	材质 B PA-66 D LCP	颜色 B Black W White N Natural	特征流水码 N 常规 W 带柱 O 外柱 L 带卡钩 C 带翅膀	R ROHS L 无卤	Series No.

ANYCONN®
www.anyconn.com
TEL:+86(0)769 8904 9672
FAX:+86(0)769 8904 9671
E-MAIL:sales@anyconn.com

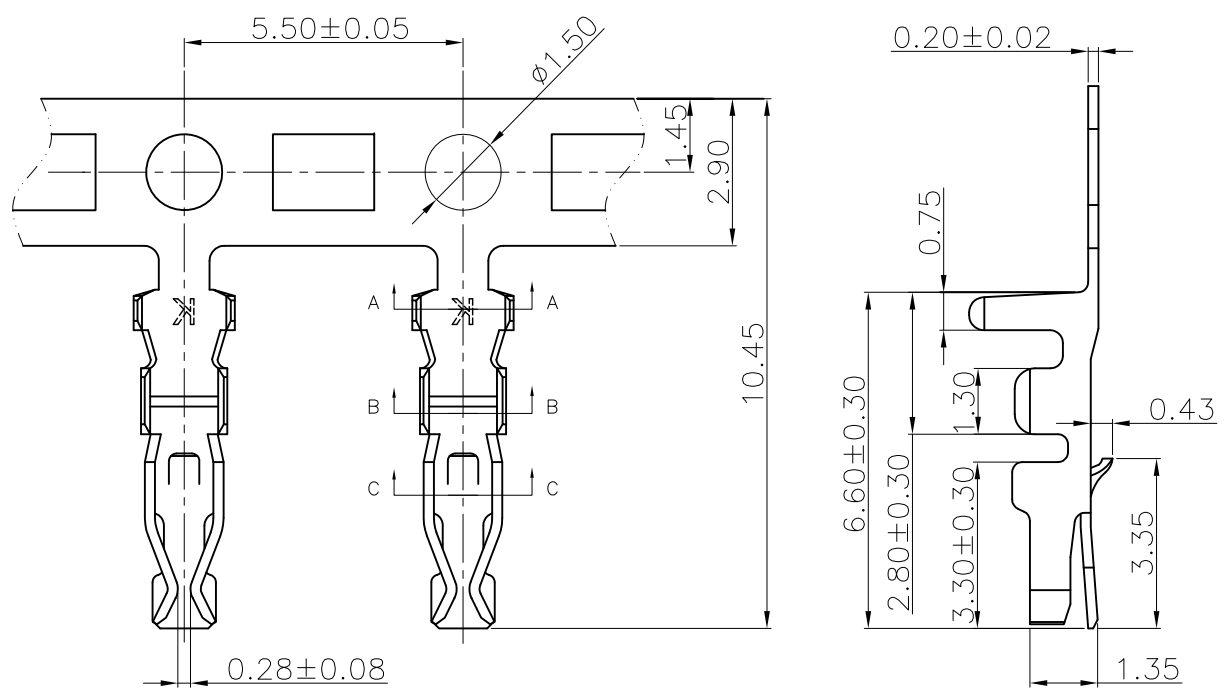
东莞市恩康电子科技有限公司

DONGGUAN ENKANG ELECTRONICS TECHNOLOGY CO.,LTD

TOLERANCE	DATE :	2023-04-06	TITLE:	Pitch2.00 H8.00 Housing	
ANGLE ±5°	DRAWN :	D.Y.Y	PART NO: VHSB11XXXBXL R20	REV:	A0
X.XXX ±0.10	CHECKED :			UNIT:	mm
X.XX ±0.20	APPROVED :			SCALE:	1:1
X.X ±0.30	PROJECTON		SIZE:	A4	
X. ±0.50			PAGE:	1/1	

零件图	成品图	客户图
		○

REVISION DATA				
REV	ECN No.	DESCRIPTION	NAME	DATE
A0		NEW DRAWING	D.Y.Y	2023-04-06

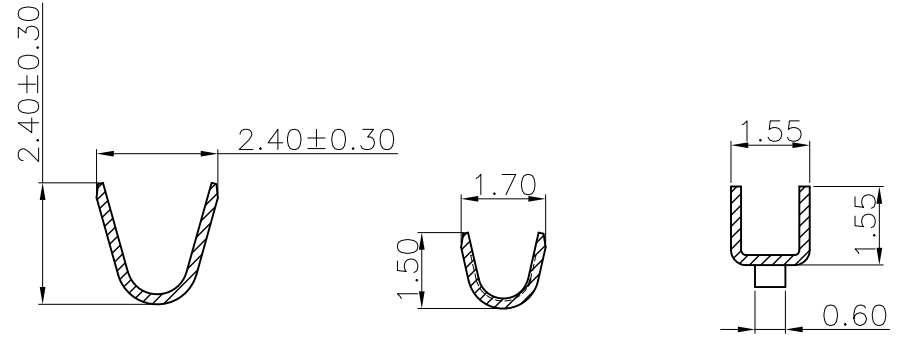


Technical Data

1. Current rating: 3A AC/DC.
2. Voltage rating: 250V AC/DC
3. Temperature range: $-40^{\circ}\text{C} \sim +105^{\circ}\text{C}$
4. Insulation resistance: $1000\text{M}\Omega$ Min.
5. Withstanding voltage: 800V AC/ minute
6. Contact resistance: $30\text{m}\Omega$ Max.
7. Applicable Wires: AWG#24~#28
Insulation O.D.: 1.40mm MAX
8. Material: Phosphor Bronze
9. Finish: Gold or Tin plated over Nickel
10. Q'ty/Reel: 10,000 PCS/Reel
11. Mating Housing: VHSB11XXXBXL20

Part No: VHSB XX P 0660B

- Pin Plating
- G0 Gold Flash
 - G1 Gold 1u"
 - SN Tin Plated



SECTION A-A SECTION B-B SECTION C-C

ANYCONN® 东莞市恩康电子科技有限公司
 www.enkcom.com
 TEL:+86(0)769 8904 9672
 FAX:+86(0)769 8904 9671
 E-MAIL:sales@anyconn.com

DONGGUAN ENKANG ELECTRONICS TECHNOLOGY CO.,LTD

TOLERANCE	DATE :	2023-04-06	TITLE:				
ANGLE $\pm 5^{\circ}$	DRAWN :	D.Y.Y	PH2.0 Terminal				
X.XXX ± 0.10	CHECKED :		PART NO: VHSBXXP0660B				
X.XX ± 0.20	APPROVED :						
X.X ± 0.30	PROJECTION		REV: A0	UNIT: mm	SCALE: 1:1	SIZE: A4	PAGE 1/1
X. ± 0.50							