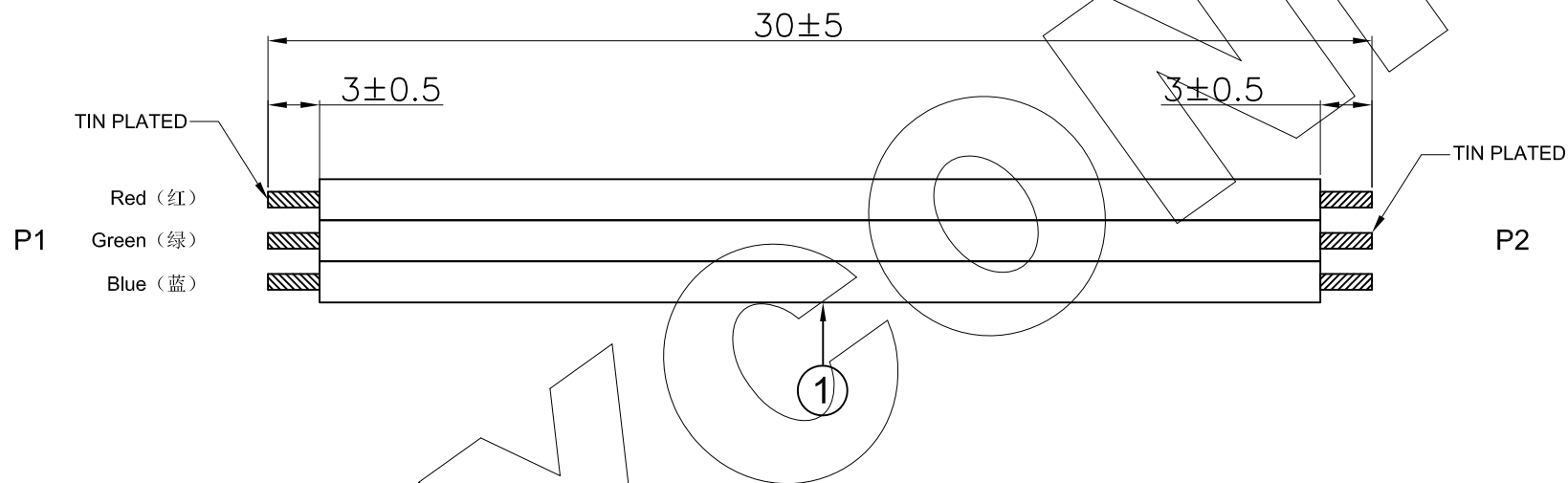


零件图	成品图	客户图
		○

REVISION DATA				
REV	ECN No.	DESCRIPTION	NAME	DATE
A0		NEW DRAWING	Harvey Li	2022-09-13



NOTES:

1. CONDUCTION IMPEDANCE: 3Ω MAX
2. INSULATION RESISTANCE: $10M\Omega$ MIN
3. TEST VOLTAGE: 300V DC.
4. THE CONDUCTOR OF WIRE SHOULD NOT SPLIT WHERE THE TIN PLATED
5. ALL MATERIALS COMPLY WITH "ROHS" ENVIRONMENTAL PROTECTION STANDARD.

ANYCONN® 东莞市恩康电子科技有限公司
 www.enkcom.com
 TEL:+86(0)769 8904 9672
 FAX:+86(0)769 8904 9671
 E-MAIL:sales@anyconn.tw
DONGGUAN ENKANG ELECTRONICS TECHNOLOGY CO.,LTD

TOLERANCE	DATE :	2022-09-13	TITLE: UL1007 26AWG*3C BOTH ENDS TIN PLATED 3mm L=30mm		
ANGLE $\pm 2^\circ$	DRAWN :	Harvey Li	PART NO:EK-QL-061A		
X.XXX ± 0.03	CHECKED :				
X.XX ± 0.05	APPROVED :				
X.X ± 0.10	PROJECTION		REV: A0	UNIT: mm	SCALE: N/A
X. ± 0.15			SIZE: A4	PAGE 1/1	

NO.	NAME	SPECIFICATION	QTY	UNIT	REMARK
①	WIRE	UL1007 26AWG (7/0, 16TS) 3P并线, OD:1.3*3.9mm 红, 绿, 蓝色	0.035	M	