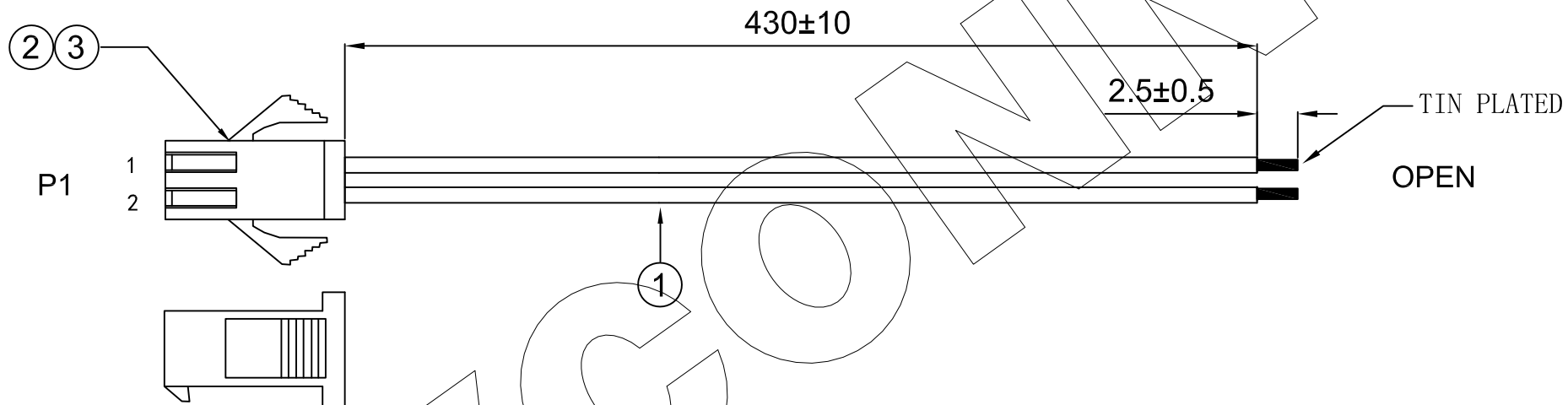


零件图	成品图	客户图
		○

REVISION DATA				
REV	ECN No.	DESCRIPTION	NAME	DATE
A0		NEW DRAWING	TIAN	2018-10-31



PIN ASSIGNMENTS

P1	OPEN
1 ——— WHITE ———	TIN
2 ——— WHITE ———	TIN

- NOTES:
1. CONDUCTION IMPEDANCE: 3Ω MAX
 2. INSULATION RESISTANCE: $10M\Omega$ MIN
 3. TEST VOLTAGE: 300V DC
 4. BETWEEN WIRE 28AWG AND TERMINAL PULL $\geq 0.9Kgf$
 5. THE CONDUCTOR OF WIRE SHOULD NOT SPLIT WHERE THE TIN PLATED
 6. ALL MATERIALS COMPLY WITH "ROHS" ENVIRONMENTAL PROTECTION STANDARD.

ANYCONN® 东莞市恩康电子科技有限公司
 www.enkcom.com
 TEL:+86(0)769 8904 9672
 FAX:+86(0)769 8904 9671
 E-MAIL:sales@anyconn.tw
DONGGUAN ENKANG ELECTRONICS TECHNOLOGY CO.,LTD

TOLERANCE	DATE :	2018-10-31	TITLE:	UL1007 28AWG 2PIN SM2.54MM HSG TO OPEN TIN PLATED 2.5mm L=430mm		
ANGLE $\pm 2^\circ$	DRAWN :	TIAN	PART NO: A2540-2FW28-430-W			
X.XXX ± 0.03	CHECKED :					
X.XX ± 0.05	APPROVED :					
X.X ± 0.10	PROJECTION		REV:	UNIT:	SCALE:	
X. ± 0.15			A0	mm	N/A	
			SIZE:	SIZE:	PAGE	
			A4	A4	1/1	

NO.	NAME	SPECIFICATION	QTY	UNIT	REMARK
③	HSG	SM2.54mm HOUSING MALE BLACK	1	PC	
②	TER	SM2.54mm TERMINAL FEMALE TIN PLATED	2	PCS	
①	WIRE	UL1007 28AWG (7/0.127TS) OD:1.2mm WHITE	0.88	M	