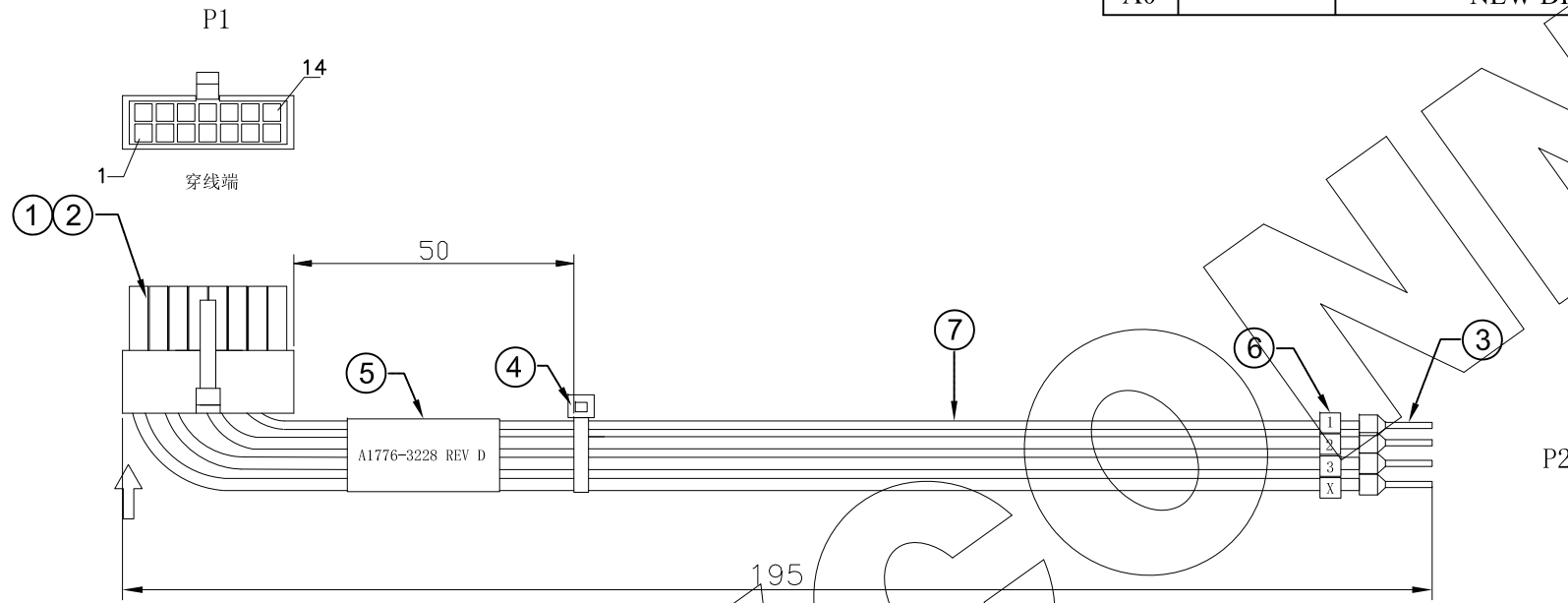


零件图	成品图	客户图
		○

REVISION DATA				
REV	ECN No.	DESCRIPTION	NAME	DATE
A0		NEW DRAWING	D.Y.Y	2018-11-12



- NOTES:
1. OPEN&SHORT 100% TEST
 2. CONDUCTION IMPEDANCE: 3Ω MAX
 3. INSULATION RESISTANCE: 10MΩ MIN
 4. TEST VOLTAGE: 300V DC.
 5. ALL MATERIALS COMPLY WITH "ROHS" ENVIRONMENTAL PROTECTION STANDARD.

PIN ASSIGNMENTS

14 WAY CONN P1	(GTVE/LABEL) P2
Pin 1	LABEL/MARK 15
Pin 2	LABEL/MARK 16
Pin 3	LABEL/MARK 11
Pin 4	LABEL/MARK 12
Pin 5	LABEL/MARK 9
Pin 6	LABEL/MARK 10
Pin 7	LABEL/MARK 5
Pin 8	LABEL/MARK 6
Pin 9	LABEL/MARK 7
Pin 10	LABEL/MARK 8
Pin 11	LABEL/MARK 1
Pin 12	LABEL/MARK 2
Pin 13	LABEL/MARK 3
Pin 14	LABEL/MARK 4

NO.	NAME	SPECIFICATION	QTY	UNIT	REMARK
⑦	WIRE	WIRE:FLRY-A 0.22mm ² WHITE	2.87	M	
⑥	LABEL	LABEL PRINTING CONTENT SEE PIN ASSIGNMENTS	14	PCS	
⑤	LABEL	LABEL PRINTING CONTENT SEE DRAWING	1	PC	
④	TIE	CABLE TIE WHITE	1	PC	
③	TER	TERMINAL EN0308	14	PCS	
②	TER	TERMINAL MOLEX PITCH:3.0mm TIN PLATED OR EQ	14	PCS	
①	HSG	HOUSING MOLEX PITCH:3.0mm 2*7PIN BLACK OR EQ	1	PC	

ANYCONN® 东莞市恩康电子科技有限公司
 www.enkcom.com
 TEL:+86(0)769 8904 9672
 FAX:+86(0)769 8904 9671
 E-MAIL:sales@anyconn.com
DONGGUAN ENKANG ELECTRONICS TECHNOLOGY CO.,LTD

TOLERANCE	DATE :	2018-11-12	TITLE:					
ANGLE ±2°	DRAWN :	D.Y.Y		PITCH3.0mm 2*7PIN HSG TO GTVE L=195mm				
X.XXX ±0.03	CHECKED :			PART NO: EN0308-014-50-195				
X.XX ±0.05	APPROVED :							
X.X ±0.10	PROJECTION		REV: A0	UNIT: mm	SCALE: N/A	SIZE: A4	PAGE 1/1	
X. ±0.15								