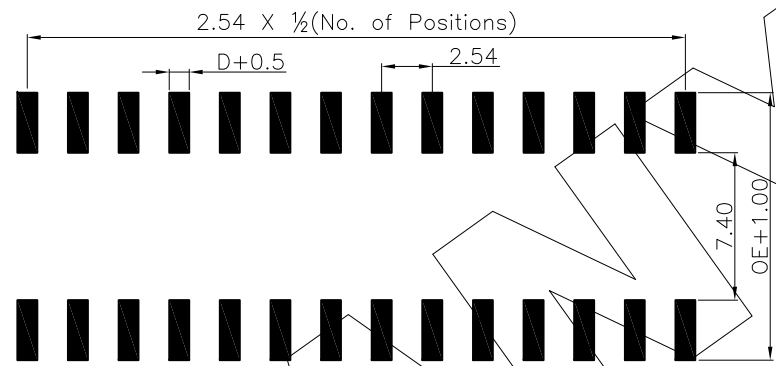
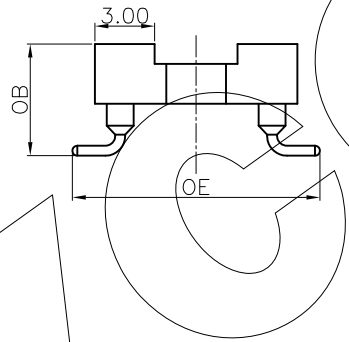
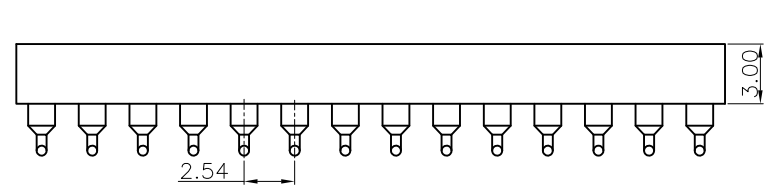
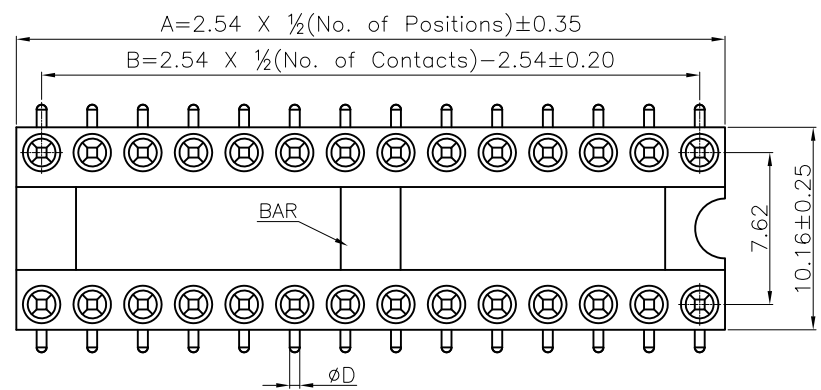


REVISION DATA				
REV	ECN No.	DESCRIPTION	NAME	DATE
A0		NEW DRAWING	Songjun	2020-10-17

### Technical Data

Material:  
 Contact Material: Copper Alloy  
 Contact plating: Au or Sn Over Ni  
 Insulator Material: PPS, UL94 V-0  
 Electrical:  
 Rating current: 3Amps/contact max.  
 Rating voltage : 60 V AC/DC  
 Contact resistance:  $\leq 4m\Omega$ /contact  
 Insulation resistance:  $\geq 1000M\Omega$   
 Withstanding Voltage: 500V AC/minute  
 Mechanical:  
 Operating temperatures: Gold Plated:  $-55^{\circ}C$  to  $+105^{\circ}C$   
 Tin plated:  $-40^{\circ}C$  to  $+105^{\circ}C$   
 Soldering temperature:  $+260^{\circ}C$ , max(PPS)



Recommended P.C.B. Layout  
 General Tolerance  $\pm 0.05$

Pin No.	DIM"A"	DIM"B"	TYPE
6	7.62	5.08	No BAR WITH BAR
8	10.16	7.62	
10	12.70	10.16	
12	15.24	12.70	
14	17.78	15.24	
16	20.32	17.78	
18	22.86	20.32	
20	25.4	22.86	
24	30.48	27.94	
26	33.02	35.56	
28	35.56	33.02	

	D	OB	OE
DIM.	0.45	5.00	12.40
	0.50	5.60	13.00
	0.60	6.50	13.50

Dim D&OB&OE can be customized by customers

PB	S	XXX	3	7	X	X	00	XXXXX	D	00
Angel Options D 180° R 90° S SMT H H-SMT	No. of Positions XXX Positions	Dip Spacing 0 No 1 1.27mm 2 2.54mm 3 7.62mm 4 10.16mm 5 15.24mm 6 15.24mm 7 3.00mm 8 3.80mm 9 4.10mm A 22.86mm A 2.00mm S Special	Insulator Height 0 No 1 1.20mm 2 1.90mm 3 2.90mm 4 2.10mm 5 2.20mm 6 2.50mm 7 3.00mm 8 3.80mm 9 4.10mm A 4.20mm B 7.00mm S Special	Insulator type G PPS+NO BAR H PPS+WITH BAR	Pin Plated 0 No 1 Tin120u" 2 Tin200u" 3 Gold0.4u" 4 Gold0.8u" 5 Gold1u" 6 Gold1.5u" 7 Gold2u" 8 Gold3u" 9 Gold5u" A Gold8u" B Gold10u" C Gold15u" D Gold30u" E Ag plated F Nickel 80u"	Clip plated 0 No 1 Tin120u" 2 Tin200u" 3 Gold0.4u" 4 Gold0.8u" 5 Gold1u" 6 Gold1.5u" 7 Gold2u" 8 Gold3u" 9 Gold5u" A Gold8u" B Gold10u" C Gold15u" D Gold30u" E Ag plated F Nickel 80u"	Pin length(mm) XXXXX XX.Xmm S Special	Series 00 No		

**ANYCONN®** 东莞市恩康电子科技有限公司  
 www.anyconn.com  
 TEL:+86(0)769 8904 9672  
 FAX:+86(0)769 8904 9671  
 E-MAIL:sales@anyconn.com

**DONGGUAN ENKANG ELECTRONICS TECHNOLOGY CO.,LTD**

TOLERANCE	DATE : 2020-10-17	TITLE:
ANGLE $\pm 5^{\circ}$	DRAWN : Songjun	PH2.54 IC Sockets Female Dual Row SMT
X.XXX $\pm 0.15$	CHECKED :	PART NO: PBSXXX37XX00XXXXXD00
X.XX $\pm 0.25$	APPROVED :	
X.X $\pm 0.40$	PROJECTON	
X. $\pm 0.50$		REV: A0 UNIT: mm SCALE: 1:1 SIZE: A4 PAGE: 1/1