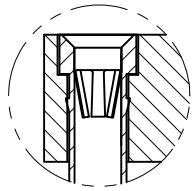
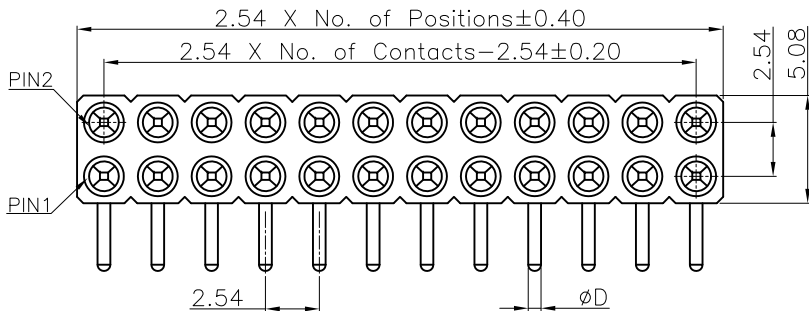


| REVISION DATA | | | | |
|---------------|---------|-------------|---------|------------|
| REV | ECN No. | DESCRIPTION | NAME | DATE |
| A0 | | NEW DRAWING | Songjun | 2020-10-17 |



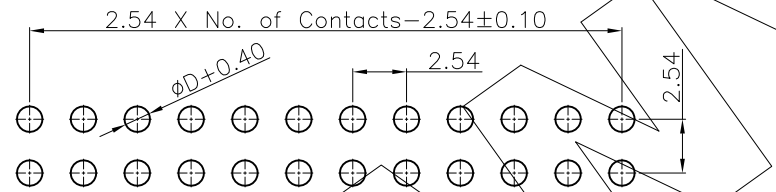
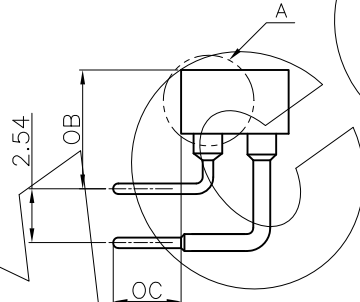
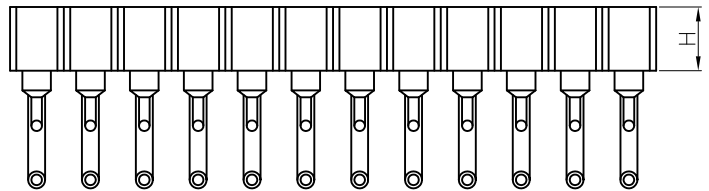
DETAIL A
SC 2:1

Technical Data

Material:
 Contact Material: Copper Alloy
 Contact plating: Au or Sn Over Ni
 Insulator Material: PPS, UL94 V-0

Electrical:
 Rating current: 3Amps/contact max.
 Rating voltage : 60 V AC/DC
 Contact resistance: $\leq 4m\Omega$ /contact
 Insulation resistance: $\geq 1000M\Omega$
 Withstanding Voltage: 500V AC/minute

Mechanical:
 Operating temperatures: Gold Plated: $-55^{\circ}C$ to $+105^{\circ}C$
 Tin plated: $-40^{\circ}C$ to $+105^{\circ}C$
 Soldering temperature: $+260^{\circ}C$, max(PPS)



Recommended P.C.B Layout
 General Tolerance ± 0.05

| DIM. | H | OC | OB | D |
|------|------|------|------|------|
| | 3.00 | 3.20 | 5.60 | 0.50 |
| | 1.90 | 3.00 | 4.00 | 0.60 |
| | 1.20 | 2.80 | 3.20 | 0.50 |
| | 7.00 | 3.20 | 8.30 | 0.60 |
| | 4.20 | 3.00 | 6.00 | 0.50 |

Dim H&OC&OB&D can be customized by customers

| PB | R | XXX | 2 | X | F | X | XX | XXXXX | 0 | 00 |
|--|-----------------------------------|---|---|---|--|---|---|--------------------------|-----------------|----|
| Angel Options D 180° R 90° S SMT H H-SMT | No. of Positions XXX Positions | Dip Spacing 0 No 1 1.27mm 2 2.54mm 3 4.00mm 4 7.62mm 5 2.20mm 6 2.80mm 4 10.16mm 7 3.00mm 8 3.80mm 9 4.10mm A 4.20mm B 7.90mm S Special | Insulator Height 0 No 1 1.20mm 2 1.30mm 3 4.00mm 4 2.90mm 5 2.20mm 6 2.80mm 7 3.00mm 8 3.80mm 9 4.10mm A 4.20mm B 7.90mm S Special | Insulator type E PPS Single Row F PPS Two Row | Pin Plated A Gold8u° B Gold10u° C Gold15u° D Gold30u° E Ag plated F Nickel80u° | Clip plated A Gold8u° B Gold10u° C Gold15u° D Gold30u° E Ag plated F Nickel80u° | Pin length(mm) XXXXX XXX.XXmm S Special | Insulator Option 0 No | Series 00 No | |

ANYCONN® 东莞市恩康电子科技有限公司
 www.anyconn.com
 TEL:+86(0)769 8904 9672
 FAX:+86(0)769 8904 9671
 E-MAIL:sales@anyconn.com
DONGGUAN ENKANG ELECTRONICS TECHNOLOGY CO.,LTD

| | | |
|-----------------------|-------------------|--|
| TOLERANCE | DATE : 2020-10-17 | TITLE: PH2.54 IC Sockets Female Dual Row 90° DIP |
| ANGLE $\pm 5^{\circ}$ | DRAWN : Songjun | PART NO: PBRXXX2FX00XXXXXX000 |
| X.XXX ± 0.15 | CHECKED : | |
| X.XX ± 0.25 | APPROVED : | |
| X.X ± 0.40 | PROJECTON | REV: A0 |
| X. ± 0.50 | | UNIT: mm |
| | | SCALE: 1:1 |
| | | SIZE: A4 |
| | | PAGE: 1/1 |