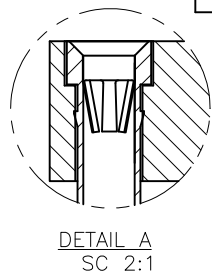
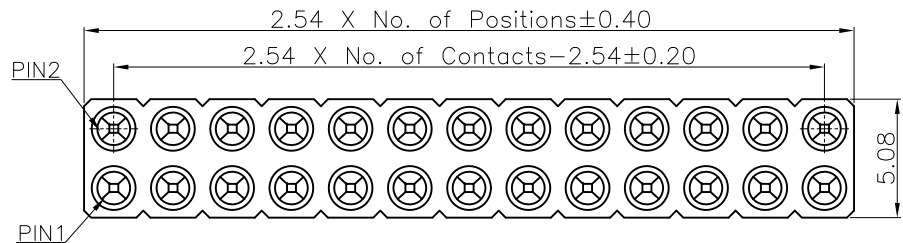


零件图	成品图	客户图
		○

REVISION DATA				
REV	ECN No.	DESCRIPTION	NAME	DATE
A0		NEW DRAWING	Songjun	2020-10-17

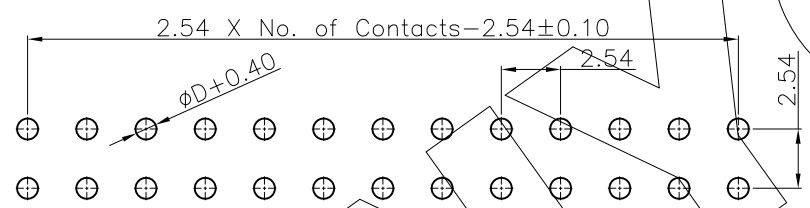
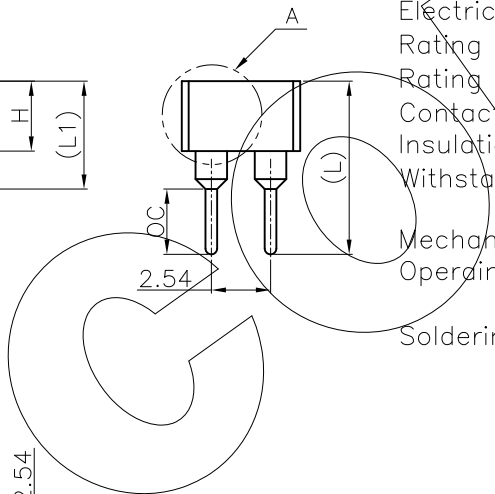
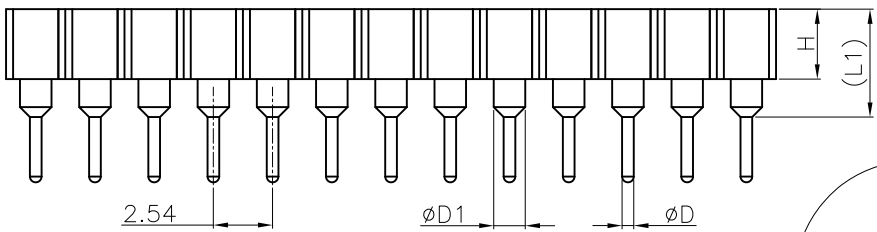


Technical Data

Material:
 Contact Material: Copper Alloy
 Contact plating: Au or Sn Over Ni
 Insulator Material: PPS, UL94 V-0

Electrical:
 Rating current: 3Amps/contact max.
 Rating voltage : 60 V AC/DC
 Contact resistance: ≤ 4mΩ/contact
 Insulation resistance: ≥ 1000MΩ
 Withstanding Voltage: 500V AC/minute

Mechanical:
 Operating temperatures: Gold Plated: -55°C to +105°C
 Tin plated: -40°C to +105°C
 Soldering temperature: +260°C, max(PPS)



Recommended PCB Layout
 General Tolerance ± 0.05

	H	OC	L	L1	D	D1
DIM.	3.00	2.80	7.43	6.43	0.50	1.35
	1.90	2.28	4.82	2.54	0.80	1.35
	1.20	2.74	5.84	3.10	0.76	2.82
	7.00	3.00	10.00		0.50	
	4.20	3.20	7.40		0.60	

Dim H&OC&L&L1&D&D1 can be customized by customers

PB	D	XXX	2	7	F	X	XX	XXXXX	0	00
Angel Options D 180° R 90° S SMT H H-SMT	No. of Positions XXX Positions	Dip Spacing 0 No 1 1.27mm 2 2.54mm 3 7.62mm 4 10.16mm 6 15.24mm 9 22.86mm A 2.00mm S Special	Insulator Height 0 No 1 1.20mm 2 1.90mm 3 2.00mm 4 2.40mm 5 2.20mm 6 2.80mm 7 3.00mm 8 3.80mm 9 4.10mm A 4.20mm B 7.00mm S Special	Insulator type E PPS Single Row F PPS Two Row	Pin Plated 0 No 1 Tin120µ 2 Tin200µ 3 Gold10µ 4 Gold50µ 5 Gold1µ 6 Gold15µ 7 Gold2µ 8 Gold5µ 9 Gold8µ A Gold10µ B Gold10µ C Gold15µ D Gold30µ E Ag plated F Nickel 80µ	Clip plated 0 No 1 Tin120µ 2 Tin200µ 3 Gold10µ 4 Gold50µ 5 Gold1µ A 5 Gold15µ B 7 Gold2µ C 9 Gold5µ A Gold8µ D B Gold10µ L C Gold15µ L D Gold30µ E Ag plated F Nickel 80µ	Pin length(mm) XXXXX XX.XXmm S Special	Insulator Option 0 No	Series 00 No	

ANYCONN®
 www.anyconn.com
 TEL:+86(0)769 8904 9672
 FAX:+86(0)769 8904 9671
 E-MAIL:sales@anyconn.com

东莞市恩康电子科技有限公司
DONGGUAN ENKANG ELECTRONICS TECHNOLOGY CO.,LTD

TOLERANCE	DATE :	2020-10-17	TITLE:
ANGLE ±5°	DRAWN :	Songjun	PH2.54 IC Sockets Female Dual Row 180° DIP
X.XXX ±0.15	CHECKED :		PART NO: PBDXXX27FXXXXXXXXX000
X.XX ±0.25	APPROVED :		
X.X ±0.40	PROJECTON		
X. ±0.50	REV: A0	UNIT: mm	SCALE: 1:1
		SIZE: A4	PAGE: 1/1