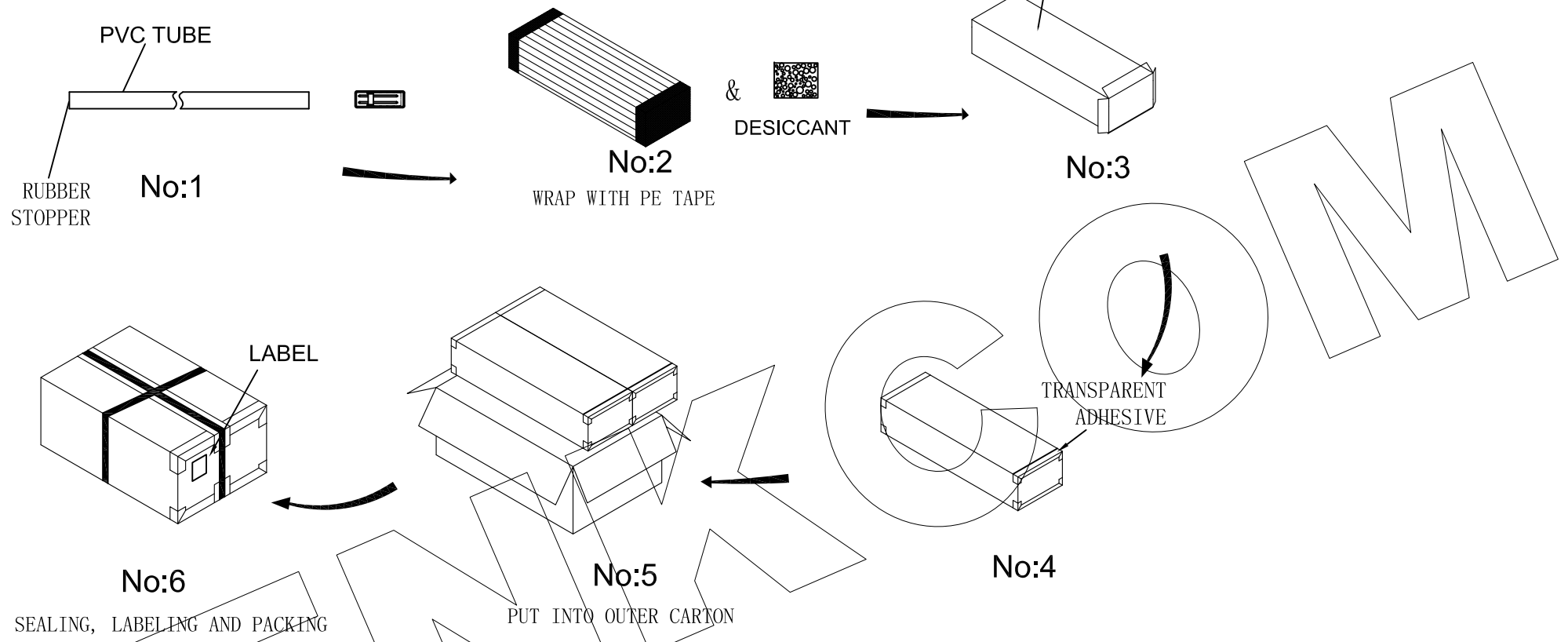


REVISION DATA		
REV	DESCRIPTION	DATE
A0	NEW DRAWING	2016-07-14



PACKAGE DESCRIPTION:
 STEP 1: PUT THE TESTED PRODUCT INTO THE PVC TUBE, AND THEN GLUE THE PVC TUBE PLUG AND SEAL
 STEP 2: WRAP THE PVC TUBE WITH PE FILM AND PUT IN DESICCANT
 STEP 3: PUT THE WRAPPED PVC TUBE INTO THE INNER BOX.
 STEP 4: SEAL THE INNER BOX WITH TRANSPARENT GLUE
 STEP 5: SEAL THE SEALED INNER CASE AND OUTER BOX.
 STEP 6: SEAL THE OUTER BOX WITH TRANSPARENT GLUE AND LABEL THE OUTER BOX. THEN BANDAGE TAKE A BANDAGE.

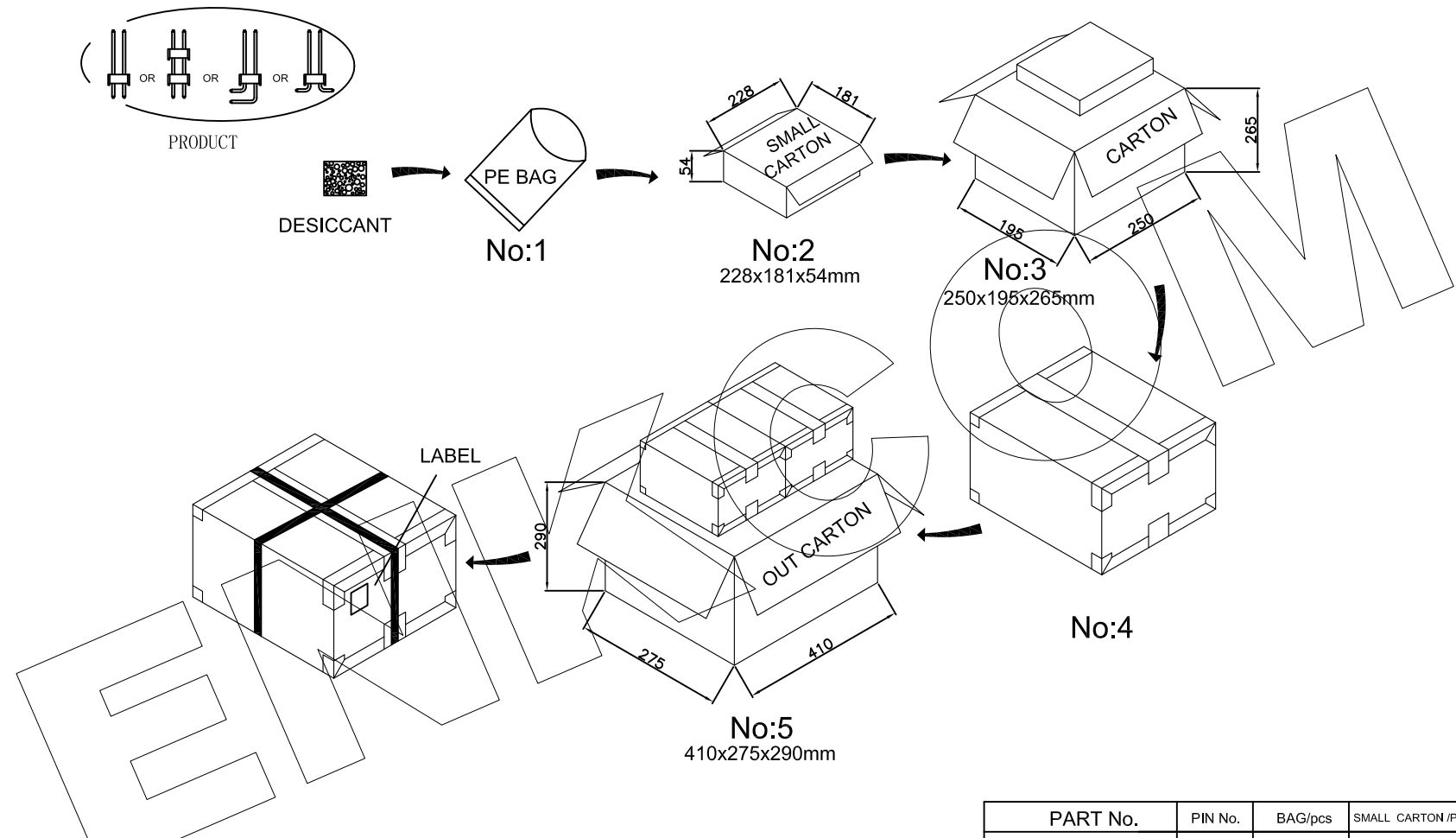
PART No.	PIPE/pcs	BOX/PIPE
P118XXXXXXXXXXXXXXXXXX	XX	XXX

ENKCOM® 东莞市恩康电子科技有限公司
 DONGGUAN ENKANG ELECTRONICS TECHNOLOGY CO.,LTD

www.enkcom.com
 TEL:+86(0)769 8904 9672
 FAX:+86(0)769 8904 9671
 E-MAIL:sales@anycom.tv

TOLERANCE	DATE :	2020-09-17	TITLE:				
ANGLE ±5°	DRAWN :	Songjun	PH1.27 H2.5 PIN HEADER-TUBE PACKING				
X.XXX ±0.10	CHECKED :		PART NO: P115XXXXXXXXXXXXXXXXXX				
X.XX ±0.20	APPROVED :						
X.X ±0.30	PROJECTON		REV: A0	UNIT: mm	SCALE: 1:1	PAGE: 1/1	
X. ±0.50							

REVISION DATA				
REV	ECN No.	DESCRIPTION	NAME	DATE
A0		NEW DRAWING	JIN	2020-09-19



PACKAGE DESCRIPTION:
 STEP 1: PUT THE INSPECTED PRODUCTS INTO PE BAG AND SEAL THE PE BAG
 STEP 2: PUT THE PE BAG INTO THE UNIVERSAL CARTON AND SEAL IT
 STEP 3: PUT THE GENERAL CARTON WITH THE PRODUCT INTO THE CARTON.
 STEP 4: SEAL THE CARTON WITH TRANSPARENT GLUE
 STEP 5: SEAL THE SEALED MIDDLE CASE AND OUTER CASE.
 STEP 6: SEAL THE OUTER BOX WITH TRANSPARENT GLUE AND LABEL THE OUTER CARTON.
 THEN BANDAGE TAKE A BANDAGE.

PART No.	PIN No.	BAG/pcs	SMALL CARTON /PCS	CARTON /PCS	OUT CARTON /PCS
P115XXXXXXXXXXXXXX	XXXP	XXX	XXXX	XXXX	XXXX

ENKCOM® 东莞市恩康电子科技有限公司
 www.enkcom.com
 TEL:+86(0)769 8904 9672
 FAX:+86(0)769 8904 9671
 E-MAIL:sales@anycom.tw
DONGGUAN ENKANG ELECTRONICS TECHNOLOGY CO.,LTD

TOLERANCE ANGLE ±5° X.XXX ±0.15 X.XX ±0.25 X.X ±0.40 X. ±0.50	DATE :	2020-09-19	TITLE:				
	DRAWN :	JIN	PH1.27 H2.5 PIN HEADER-BAG PACKING				
	CHECKED :		PART NO: P115XXXXXXXXXXXXXX				
APPROVED :			REV: A0	UNIT: mm	SCALE: 1:1	SIZE: A4	PAGE 1/1
PROJECTON							