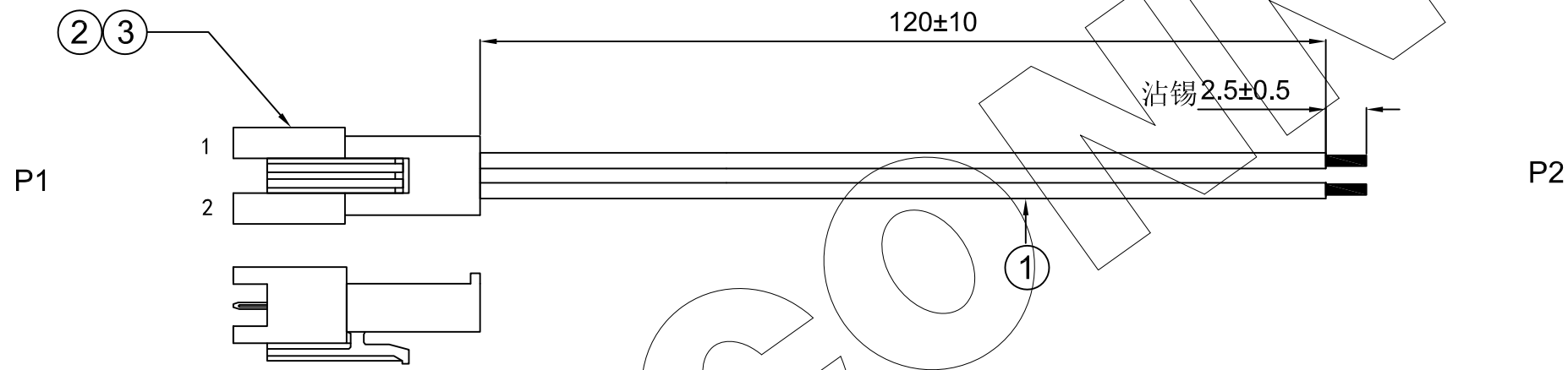


零件图	成品图	客户图
		○

REVISION DATA				
REV	ECN No.	DESCRIPTION	NAME	DATE
A0		NEW DRAWING	TIAN	2018-10-31
A1		客户要求修改线长位置	TIAN	2018-11-26



PIN ASSIGNMENT

PIN	P1	P2
1	BLACK (黑)	沾锡
2	BLACK (黑)	沾锡

- NOTES:
1. 100% SHORT&OPEN TEST
 2. INSULATION RESISTANCE: $\geq 10M\Omega$ 300V DC
 3. CONDUCTION RESISTANCE: $\leq 3\Omega$
 4. WIRE WITH TERMINAL FULL $\geq 0.9Kgf$
 5. ALL MATERIALS COMPLY WITH RoHS STANDARD.

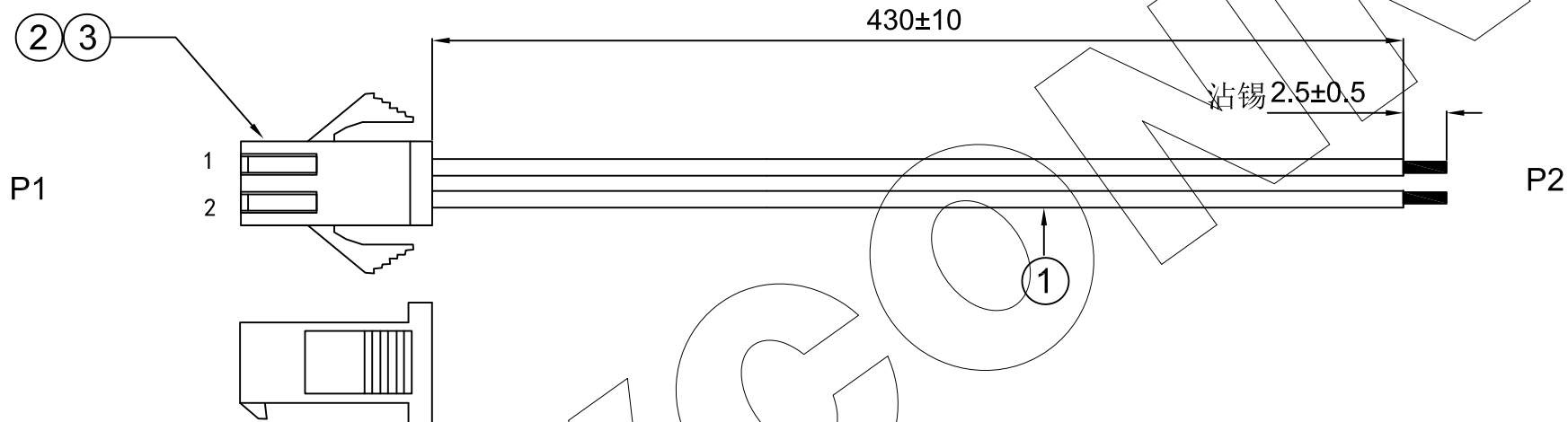
NO.	NAME	SPECIFICATION	QTY	UNIT	REMARK
③	TER	SM2.54mm TERMINAL MALE TIN PLATED	2	PCS	
②	HSG	SM2.54mm HOUSING FEMALE BLACK	1	PC	
①	WIRE	UL1007 28AWG(7/0.127) OD1.20mm BLACK	0.26	M	

ANYCONN® 东莞市恩康电子科技有限公司
 www.enkcom.com
 TEL:+86(0)769 8904 9672
 FAX:+86(0)769 8904 9671
 E-MAIL:sales@anyconn.tw
DONGGUAN ENKANG ELECTRONICS TECHNOLOGY CO.,LTD

TOLERANCE	DATE :	2018-10-31	TITLE:		
ANGLE $\pm 2^\circ$	DRAWN :	TIAN	PITCH2.54mm 2PIN HSG TO OPEN L=120MM		
X.XXX ± 0.03	CHECKED :		PART NO:A2540-2MW28-120-B		
X.XX ± 0.05	APPROVED :		REV:	UNIT:	SCALE:
X.X ± 0.10	PROJECTION		A1	mm	N/A
X. ± 0.15			SIZE:	SIZE:	PAGE
			A4	A4	1/1

零件图	成品图	客户图
	○	

REVISION DATA				
REV	ECN No.	DESCRIPTION	NAME	DATE
A0		NEW DRAWING	TIAN	2018-10-31
A1		客户要求修改线长位置	TIAN	2018-11-26



PIN ASSIGNMENT

P1		P2
1	BLACK (黑)	沾锡
2	BLACK (黑)	沾锡

NOTES:

1. 100% SHORT&OPEN TEST
2. INSULATION RESISTANCE: $\geq 10M\Omega$ 300V DC
3. CONDUCTION RESISTANCE: $\leq 3\Omega$
4. WIRE WITH TERMINAL FULL $\geq 0.9Kgf$
5. ALL MATERIALS COMPLY WITH RoHS STANDARD.

NO.	NAME	SPECIFICATION	QTY	UNIT	REMARK
③	TER	SM2.54mm TERMINAL FEMALE TIN PLATED	2	PCS	
②	HSG	SM2.54mm HOUSING MALE BLACK	1	PC	
①	WIRE	UL1007 28AWG(7/0.127) OD1.20mm BLACK	0.88	M	

ANYCONN® 东莞市恩康电子科技有限公司
 www.enkcom.com
 TEL:+86(0)769 8904 9672
 FAX:+86(0)769 8904 9671
 E-MAIL:sales@anyconn.com
DONGGUAN ENKANG ELECTRONICS TECHNOLOGY CO.,LTD

TOLERANCE	DATE :	2018-10-31	TITLE:		
ANGLE $\pm 2^\circ$	DRAWN :	TIAN	PITCH2.54mm 2PIN HSG TO OPEN L=430MM		
X.XXX ± 0.03	CHECKED :		PART NO:A2540-2FW28-430-B		
X.XX ± 0.05	APPROVED :		REV:	UNIT:	SCALE:
X.X ± 0.10	PROJECTION		A1	mm	N/A
X. ± 0.15			SIZE:	SIZE:	PAGE
			A4	A4	1/1