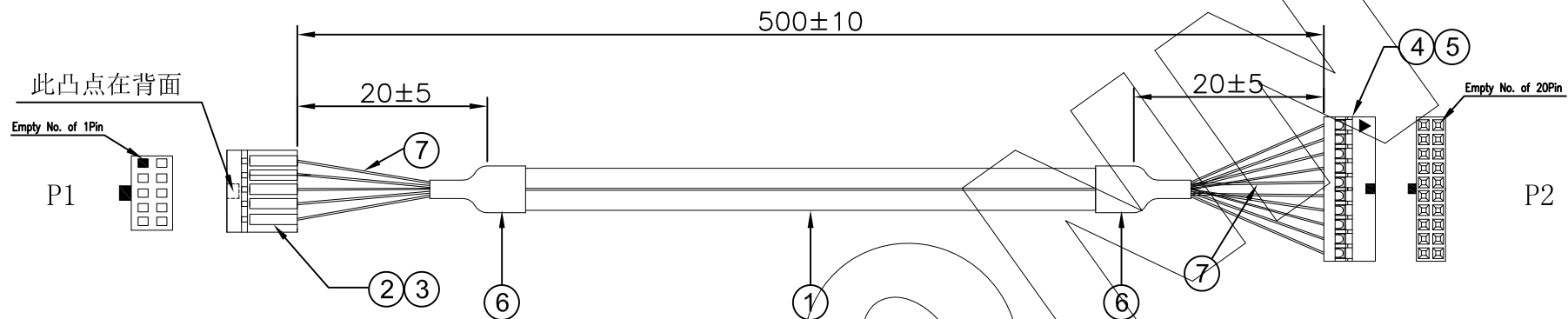


零件图	成品图	客户图
		○

REVISION DATA				
REV	ECN No.	DESCRIPTION	NAME	DATE
A0		NEW DRAWING	Songjun	2016-09-07



PIN ASSIGNMENTS

	P1	P2
	DRAIN+BRAID	
	2	16
	BLACK	
	4	7
	GREEN	
	6	11
	WHITE	
	8	12
	RED	
	10	19
	BLACK	
	3	4
	GREEN	
	5	9
	WHITE	
	7	8
	WHITE	
	9	1

共用地线编织

- NOTES:
1. OPEN&SHORT 100% TEST
 2. CONDUCTION IMPEDANCE: 3Ω MAX
 3. INSULATION RESISTANCE: 10MΩ MIN
 4. TEST VOLTAGE: 300V DC.
 5. ALL MATERIALS COMPLY WITH "ROHS" ENVIRONMENTAL PROTECTION STANDARD.

NO.	NAME	SPECIFICATION	QTY	UNIT	REMARK
⑦	TUBE	HEAT-SHRINKABLE TUBE ∅ 1.5mm L=20mm BLACK	2	PCS	
⑥	TUBE	HEAT-SHRINKABLE TUBE ∅ 8.5mm L=25mm BLACK	2	PCS	
⑤	HSG	杜邦2.0 HOUSING 2*10PIN BLACK	1	PC	
④	TER	杜邦2.0 TERMINAL Au PLATED	9	PCS	
③	HSG	杜邦2.54 HOUSING 2*5PIN BLACK	1	PC	
②	TER	杜邦2.54 TERMINAL Au PLATED	9	PCS	
①	CABLE	UL2725 28AWG (7/0.127)*1P+28AWG*2C+AEB PVC BLACK OD4.0	1.03	M	

ANYCONN® 东莞市恩康电子科技有限公司
 www.enkcom.com
 TEL:+86(0)769 8904 9672
 FAX:+86(0)769 8904 9671
 E-MAIL:sales@anyconn.com

DONGGUAN ENKANG ELECTRONICS TECHNOLOGY CO.,LTD

TOLERANCE	DATE :	2016-09-07	TITLE:	PITCH2.54mm 2*5PIN HSG TO PITCH2.0mm 2*10PIN HSG L=500mm		
ANGLE ±2°	DRAWN :	Songjun	CHECKED :	PART NO: CA200030L0510R		
X.XXX ±0.03	CHECKED :		APPROVED :			
X.XX ±0.05	APPROVED :		PROJECTION		REV: A0	UNIT: mm
X.X ±0.10	PROJECTION			SCALE: N/A	SIZE: A4	PAGE 1/1
X. ±0.15						