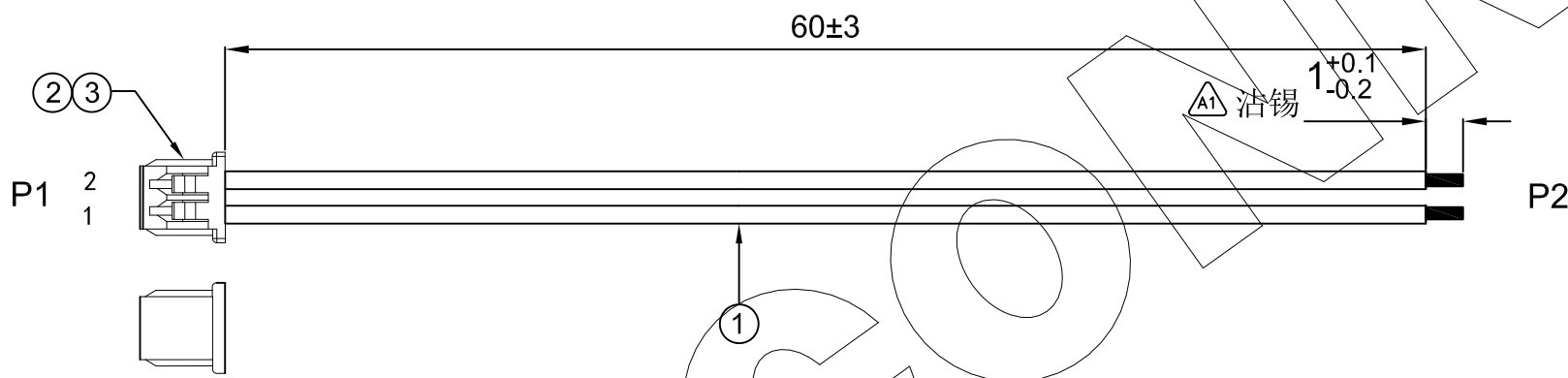


零件图	成品图	客户图
		○

REVISION DATA				
REV	ECN No.	DESCRIPTION	NAME	DATE
A0		NEW DRAWING	TIAN	2018-11-24
A1		依客户要求变更尾部焊锡长度	D.Y.Y	2019-03-01



PIN ASSIGNMENTS

P1		P2
1	BLACK (黑)	沾锡
2	RED (红)	沾锡

- NOTES:
1. OPEN&SHORT 100% TEST
  2. CONDUCTION IMPEDANCE: 3Ω MAX
  3. INSULATION RESISTANCE: 10MΩ MIN
  4. TEST VOLTAGE: 300V DC.
  5. 28AWG WIRE WITH TERMINAL PULL > 0.9Kgf
  5. ALL MATERIALS COMPLY WITH "ROHS" ENVIRONMENTAL PROTECTION STANDARD.

**ANYCONN®** 东莞市恩康电子科技有限公司  
 www.enkcom.com  
 TEL:+86(0)769 8904 9672  
 FAX:+86(0)769 8904 9671  
 E-MAIL:sales@anyconn.tw  
**DONGGUAN ENKANG ELECTRONICS TECHNOLOGY CO.,LTD**

TOLERANCE	DATE :	2018-11-24	TITLE:		
ANGLE ±2°	DRAWN :	TIAN	PITCH: 1.25mm 2PIN HSG TO OPEN L=60mm		
X.XXX ±0.03	CHECKED :		PART NO: 2PA1250-28-60		
X.XX ±0.05	APPROVED :				
X.X ±0.10	PROJECTION		REV: A1	UNIT: mm	SCALE: N/A
X. ±0.15			SIZE: A4	PAGE: 1/1	

NO.	NAME	SPECIFICATION	QTY	UNIT	REMARK
(3)	HSG	MX1.25mm HOUSING 2PIN WHITE	1	PC	
(2)	TER	MX1.25mm TERMINAL TIN PLATED	9	PCS	
(1)	WIRE	UL1061 28AWG(7/0.127) ODO.9mm RED/BLACK	1.03	M	