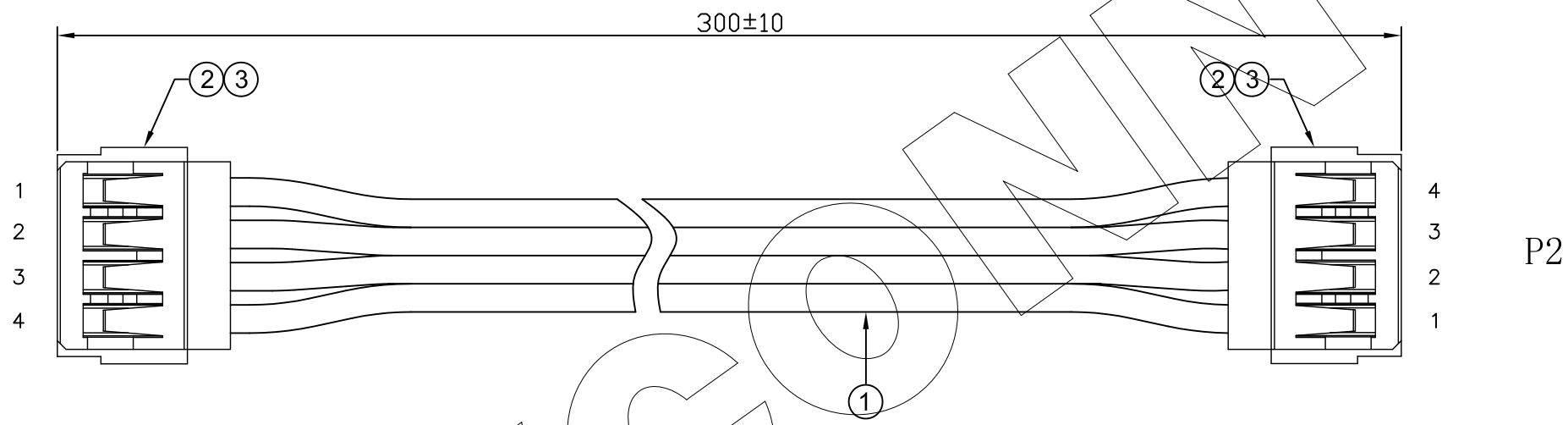


零件图	成品图	客户图
		○

REVISION DATA				
REV	ECN No.	DESCRIPTION	NAME	DATE
A0		NEW DRAWING	Songjun	2016-09-07



PIN ASSIGNMENTS

P1		P2
1	BROWN	4
2	RED	3
3	ORANGE	2
4	YELLOW	1

- NOTES:
1. OPEN&SHORT 100% TEST
 2. CONDUCTION IMPEDANCE: 3Ω MAX
 3. INSULATION RESISTANCE: 10MΩ MIN
 4. TEST VOLTAGE: 300V DC.
 5. ALL MATERIALS COMPLY WITH "ROHS" ENVIRONMENTAL PROTECTION STANDARD.

ANYCONN® 东莞市恩康电子科技有限公司
 www.enkcom.com
 TEL:+86(0)769 8904 9672
 FAX:+86(0)769 8904 9671
 E-MAIL:sales@anyconn.tw
DONGGUAN ENKANG ELECTRONICS TECHNOLOGY CO.,LTD

NO.	NAME	SPECIFICATION	QTY	UNIT	REMARK
③	TER	PITCH1.5mm TERMINAL TIN PLATED 353907-1	4	PCS	
②	HSG	PITCH1.5mm HOUSING 4PIN 353908-4	2	PCS	
①	CABLE	FLAT CABLE 28AWG(7/0.127)*4C BROWN/RED/ORANGE/YELLOW	0.30	M	

TOLERANCE	DATE :	2016-09-07	TITLE:		
ANGLE ±2°	DRAWN :	Songjun	PITCH1.5mm 4PIN HSG TO PITCH1.5mm 4PIN HSG L=300mm		
X.XXX ±0.03	CHECKED :		PART NO: EK-QL-068		
X.XX ±0.05	APPROVED :				
X.X ±0.10	PROJECTION		REV: A0	UNIT: mm	SCALE: N/A
X. ±0.15			SIZE: A4	PAGE: 1/1	