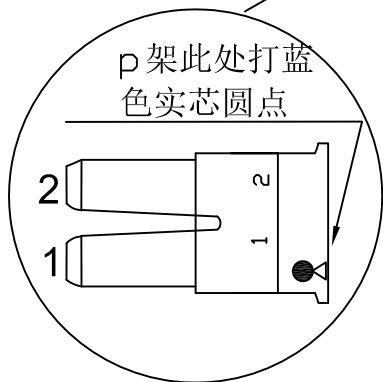
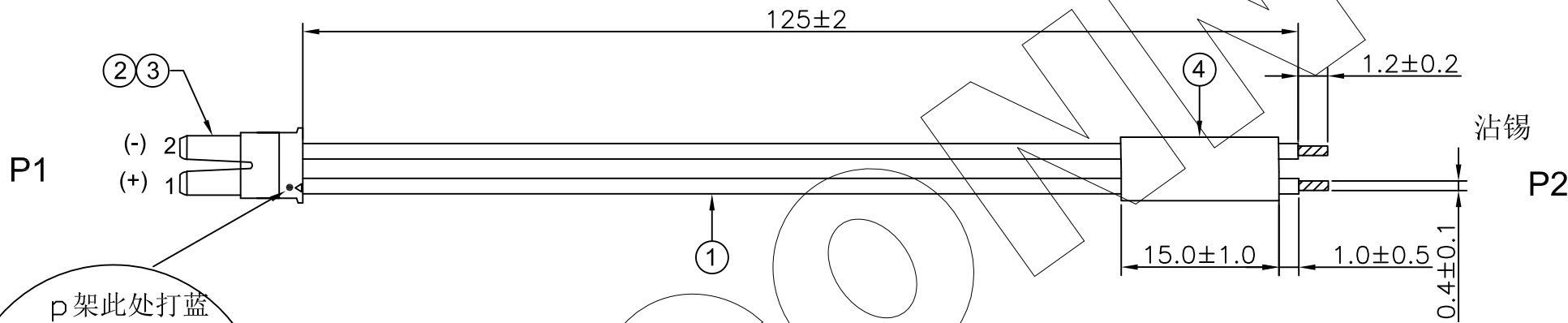


零件图	成品图	客户图
		○

REVISION DATA				
REV	ECN No.	DESCRIPTION	NAME	DATE
A0		NEW DRAWING	Songjun	2017-04-01



PIN ASSIGNMENTS

P1	P2
1	沾锡
2	沾锡

- NOTES:
1. OPEN&SHORT 100% TEST
 2. CONDUCTION IMPEDANCE: 3Ω MAX
 3. INSULATION RESISTANCE: 10MΩ MIN
 4. TEST VOLTAGE: 300V DC.
 - 28AWG WIRE WITH TERMINAL PULL ≥ 0.9Kgf
 5. ALL MATERIALS COMPLY WITH "ROHS" ENVIRONMENTAL PROTECTION STANDARD.

NO.	NAME	SPECIFICATION	QTY	UNIT	REMARK
④	TUBE	HEAT SHRINK TUBE ∅1.5mm L=15mm BLACK	1	PC	
③	TER	PITCH3.5mm TERMINAL TIN PLATED A3500-TPE (HR)	2	PCS	
②	HSG	PITCH3.5mm 2PIN HOUSING A3500H-02PNOWNPN00G (HR)	1	PC	
①	CABLE	UL3302 28AWG(7/0.127) ODO.9mm RED/WHITE	0.28	M	

ANYCONN® 东莞市恩康电子科技有限公司
 www.enkcom.com
 TEL:+86(0)769 8904 9672
 FAX:+86(0)769 8904 9671
 E-MAIL:sales@anyconn.com
DONGGUAN ENKANG ELECTRONICS TECHNOLOGY CO.,LTD

TOLERANCE	DATE :	2017-04-01	TITLE:	PITCH3.5mm 2PIN HSG TO OPEN L=125mm		
ANGLE ±2°	DRAWN :	Songjun	CHECKED :	PART NO: 1L6710905A01125		
X.XXX ±0.03	APPROVED :		PROJECTION	REV: A0	UNIT: mm	SCALE: N/A
X.XX ±0.05				SIZE: A4	PAGE 1/1	
X.X ±0.10						
X. ±0.15						