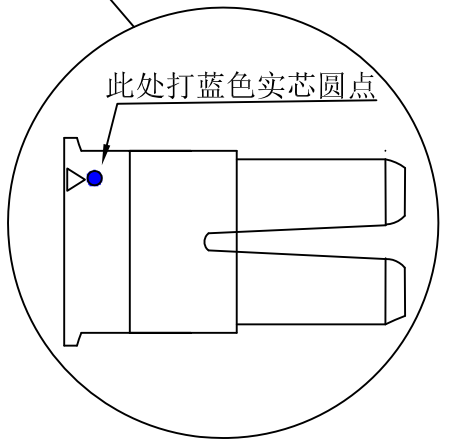
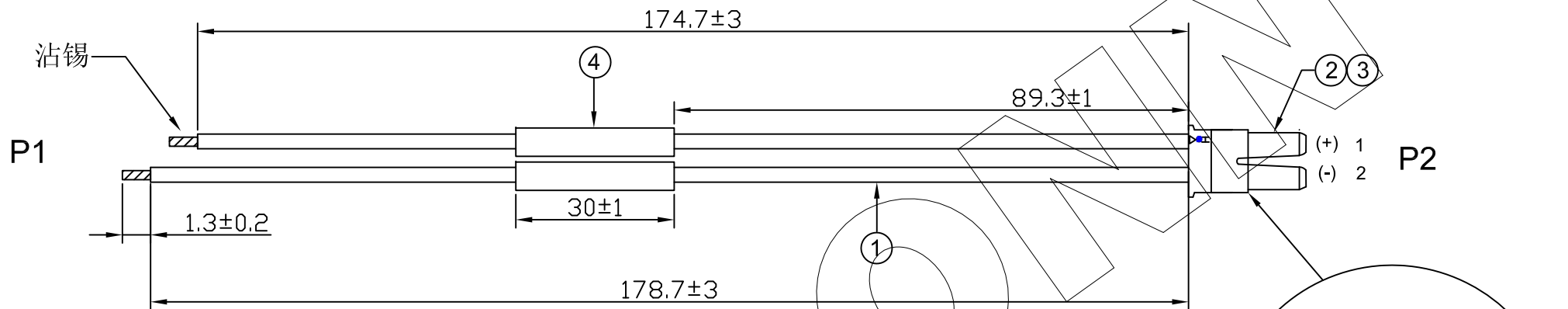


零件图	成品图	客户图
		○

REVISION DATA				
REV	ECN No.	DESCRIPTION	NAME	DATE
A0		NEW DRAWING	Songjun	2016-04-15



PIN ASSIGNMENTS

P1		P2
沾锡	BLACK	1
	WHITE	2

- NOTES:
1. OPEN&SHORT 100% TEST
 2. CONDUCTION IMPEDANCE: 3Ω MAX
 3. INSULATION RESISTANCE: 10MΩ MIN
 4. TEST VOLTAGE: 300V DC.
 5. ALL MATERIALS COMPLY WITH "ROHS" ENVIRONMENTAL PROTECTION STANDARD.

NO.	NAME	SPECIFICATION	QTY	UNIT	REMARK
④	TUBE	HEAT SHRINK TUBE ∅1.5mm BLACK L=30±1MM	2	PCS	
③	TER	SBHS-002T-P0.5A TERMINAL TIN PLATED	2	PCS	
②	HSG	BHSR-02VS-1(N) PITCH3.50mm HSG 2PIN NATURAL	1	PC	
①	CABLE	UL10368 28AWG (7/0.127) OD:0.9mm BLACK/WHITE	0.375	M	

ANYCONN® 东莞市恩康电子科技有限公司
 www.enkcom.com
 TEL:+86(0)769 8904 9672
 FAX:+86(0)769 8904 9671
 E-MAIL:sales@anyconn.tw
DONGGUAN ENKANG ELECTRONICS TECHNOLOGY CO.,LTD

TOLERANCE	DATE :	2016-04-15	TITLE:		
ANGLE ±2°	DRAWN :	Songjun	OPEN TO PITCH3.5mm 2PIN HSG L=178.7mm		
X.XXX ±0.03	CHECKED :		PART NO: L67I0806176713P		
X.XX ±0.05	APPROVED :				
X.X ±0.10	PROJECTION		REV: A0	UNIT: mm	SCALE: N/A
X. ±0.15			SIZE: A4	PAGE 1/1	