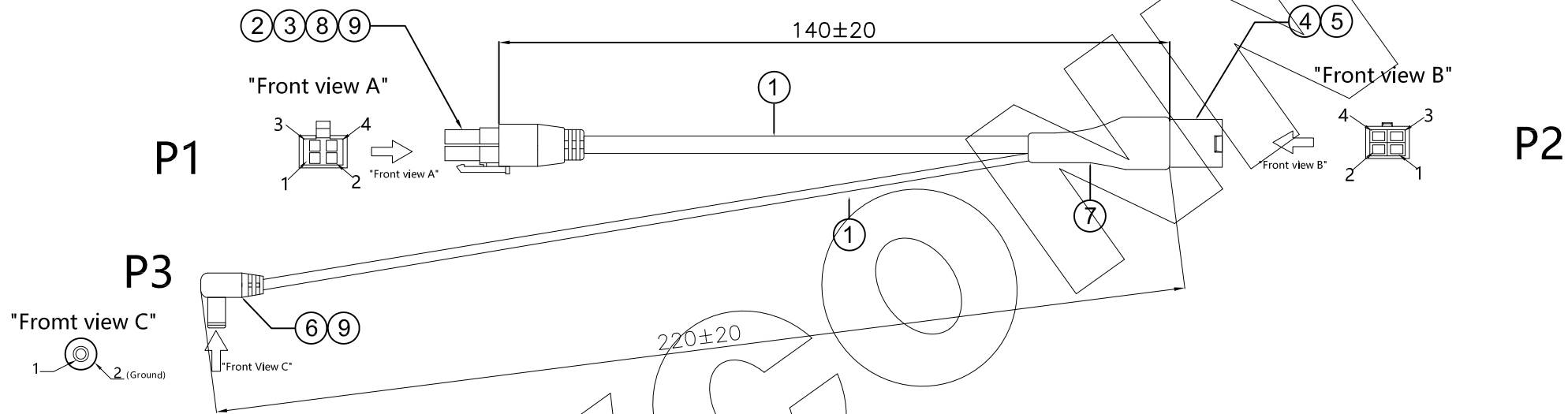


REVISION DATA				
REV	ECN No.	DESCRIPTION	NAME	DATE
A0		NEW DRAWING	JIN	2020-10-29



- NOTES:
1. OPEN&SHORT 100% TEST
  2. CONDUCTION IMPEDANCE: 3Ω MAX
  3. INSULATION RESISTANCE: 10MΩ MIN
  4. TEST VOLTAGE: 300V DC.
  5. ALL MATERIALS COMPLY WITH "ROHS" ENVIRONMENTAL PROTECTION STANDARD.

PIN ASSIGNMENTS

P1	P2	P3
1	1	N/C
2	2	1
3	3	N/C
4	4	2

NO.	NAME	SPECIFICATION	QTY	UNIT	REMARK
⑨	PVC	PLASTIC 45P PVC BLACK	4	g	
⑧	PE	PLASTIC PE TRANSPARENT	2	g	
⑦	TUBE	HEAT SHRINK TUBE BLACK L=50mm	1	PC	
⑥	PLUG	DC PLUG 5.5*2.1mm	1	PC	
⑤	TER	PITCH:4.2mm TERMINAL MALE TIN PLATED	4	PCS	
④	HSG	PITCH:4.2mm HOUSING 2*2PIN WHITE FEMALE	1	PC	
③	TER	PITCH:4.2 TERMINAL FEMALE TIN PLATED	4	PCS	
②	HSG	PITCH:4.2mm HOUSING 2*2PIN WHITE MALE	1	PC	
①	CABLE	UL2464 24AWG*4C 80°C 300V JACKET:PVC	0.38	M	

**ANYCONN®** 东莞市恩康电子科技有限公司  
 www.enkcom.com  
 TEL:+86(0)769 8904 9672  
 FAX:+86(0)769 8904 9671  
 E-MAIL:sales@anyconn.com  
**DONGGUAN ENKANG ELECTRONICS TECHNOLOGY CO.,LTD**

TOLERANCE	DATE :	2020-10-29	TITLE:		
ANGLE ±2°	DRAWN :	JIN	UL 2464 24AWG*4C DC 5.5*2.1mm TO		
X.XXX ±0.03	CHECKED :		Pitch 4.2mm 2*2PIN HSG		
X.XX ±0.05	APPROVED :		L=220mm		
X.X ±0.10	PROJECTION		PART NO: EK-QL-089		
X. ±0.15	REV: A0	UNIT: mm	SCALE: N/A	SIZE: A4	PAGE 1/1