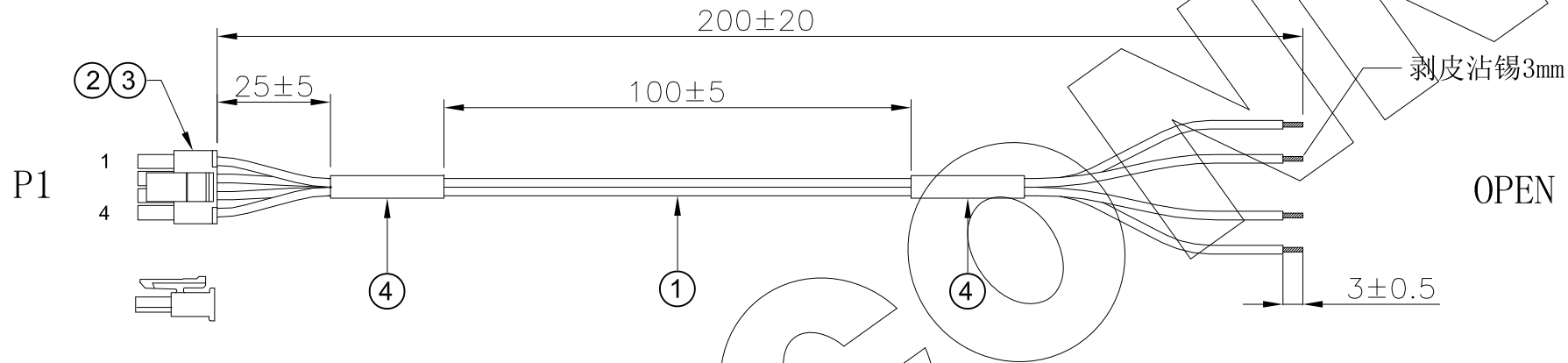


零件图	成品图	客户图
		○

REVISION DATA				
REV	ECN No.	DESCRIPTION	NAME	DATE
A0		NEW DRAWING	JIN	2020-10-07



PIN ASSIGNMENTS

P1		OPEN
1	RED	TIN
2	BLACK	TIN
3	BLUE	TIN
4	GREEN	TIN

- NOTES:
1. OPEN&SHORT 100% TEST
 2. CONDUCTION IMPEDANCE: 3Ω MAX
 3. INSULATION RESISTANCE: 10MΩ MIN
 4. TEST VOLTAGE: 300V DC.
 5. ALL MATERIALS COMPLY WITH "ROHS" ENVIRONMENTAL PROTECTION STANDARD.

NO.	NAME	SPECIFICATION	QTY	UNIT	REMARK
④	TUBE	HEAT SHRINK TUBE BLACK ø3.5mm L=20mm	2	PCS	
③	TER	PITCH:3.0mm TERMINAL TIN PLATED MOLEX:43030-0001	4	PCS	
②	HSG	PITCH:3.0mm HOUSING 4PIN BLACK MOLEX:43645-0400	1	PC	
①	WIRE	UL1007 24AWG(11/0.16) OD1.40mm BLACK/RED/BLUE/GREEN	0.88	M	

ANYCONN® 东莞市恩康电子科技有限公司
 www.enkcom.com
 TEL:+86(0)769 8904 9672
 FAX:+86(0)769 8904 9671
 E-MAIL:sales@anyconn.tw
DONGGUAN ENKANG ELECTRONICS TECHNOLOGY CO.,LTD

TOLERANCE	DATE :	2020-10-07	TITLE:		
ANGLE ±2°	DRAWN :	JIN	UL1007 24AWG 4P 胶壳黑色 端子镀锡 L=200mm		
X.XXX ±0.03	CHECKED :		PART NO: EK-QL-084		
X.XX ±0.05	APPROVED :				
X.X ±0.10	PROJECTION		REV: A0	UNIT: mm	SCALE: N/A
X. ±0.15			SIZE: A4	PAGE: 1/1	